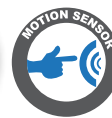




IMAGE MAY VARY FROM ACTUAL PRODUCT

## LED WALL PACK



### PRODUCT DESCRIPTION

Full Cut-off LED Wall Packs are designed and engineered as maintenance free, energy-efficient alternatives to traditional fluorescent, high/low pressure sodium, metal halide, induction, and other types of lighting fixtures.

### CONTROL

**Photo control:** Voltage-specific photocontrols power the fixture when light levels reach 20 lux or below, and turn it off at 30 lux or higher. Operating temperature is 30°F-120°F. Photocell mounted externally.

**Motion/Daylight sensor:** 0-10V microwave-based motion sensor with integral photocontrol, featuring high/low motion detection. Field adjustable for 100% light output in the high with 10, 20, 30, 50 or 0% on the low side. Detection area, hold time, daylight threshold, and dimming level all have DIP switches.

Operating temperature is -31-158°F. At its maximum mounting height of 32 feet, the sensor can detect motion up to 30 feet away. Sensor mounted internally behind glass.

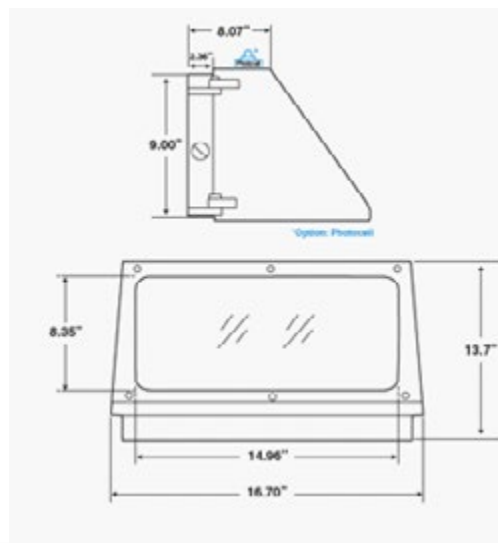
### SPECIFICATION

Length: 14.4"

Width: 9"

Height: 11.4"

Max. Weight: 9 lbs



### Ordering Information

Example: **ABWP40LED50DS-MS**

Brand	Figure	Watts	Source type	CCT	Distribution	Controls
ABB lighting	WP Wall Pack	20	LED	40 - 4000K	DS - Full Cut off	MS-Motion Sensor MSO-ON/OFF Motion Sensor PC-Photo Control PC12-Photo Control 120V PC27-Photo Control 277V
		20 Watts		50 - 5000K		
		30				
		30 Watts				
		40				
40 Watts						
60						
60 Watts						

\* Special Order- Ask Customer Service for Details

Add: 1501 Industrial Way North, Toms River, NJ 08755 Phone: 866-ABB-8866 E-mail: info@abblighting.com

Web: www.abblighting.com ©2015 ABB lighting, Inc. All rights reserved

## PERFORMANCE DATA

### LUMEN OUTPUT

Lumen values are measured by third party certified laboratories performed in accordance with IESNA LM-79-08 as well as Lighting Facts listed.

Watts	Lumen Output	Drive Current	Measured Watts	CRI	Dist. Type	LPW
20W	1783	2.3A	19W	84	Full Cut Off	92
30W	3141	2.3A	30W	76	Full Cut Off	111
40W	3877	2.3A	38W	76	Full Cut Off	110
60W	5638	2.3A	52W	76	Full Cut Off	113

### Projected LED Lumen Maintenance

Data references the extrapolated performance projections for the LED Wall Pack in a 104°F ambient, (tested per IESNA LM-80-08 and projected per IESNA TM-21-11).

### Lumen Ambient Temperature (LAT) Multipliers

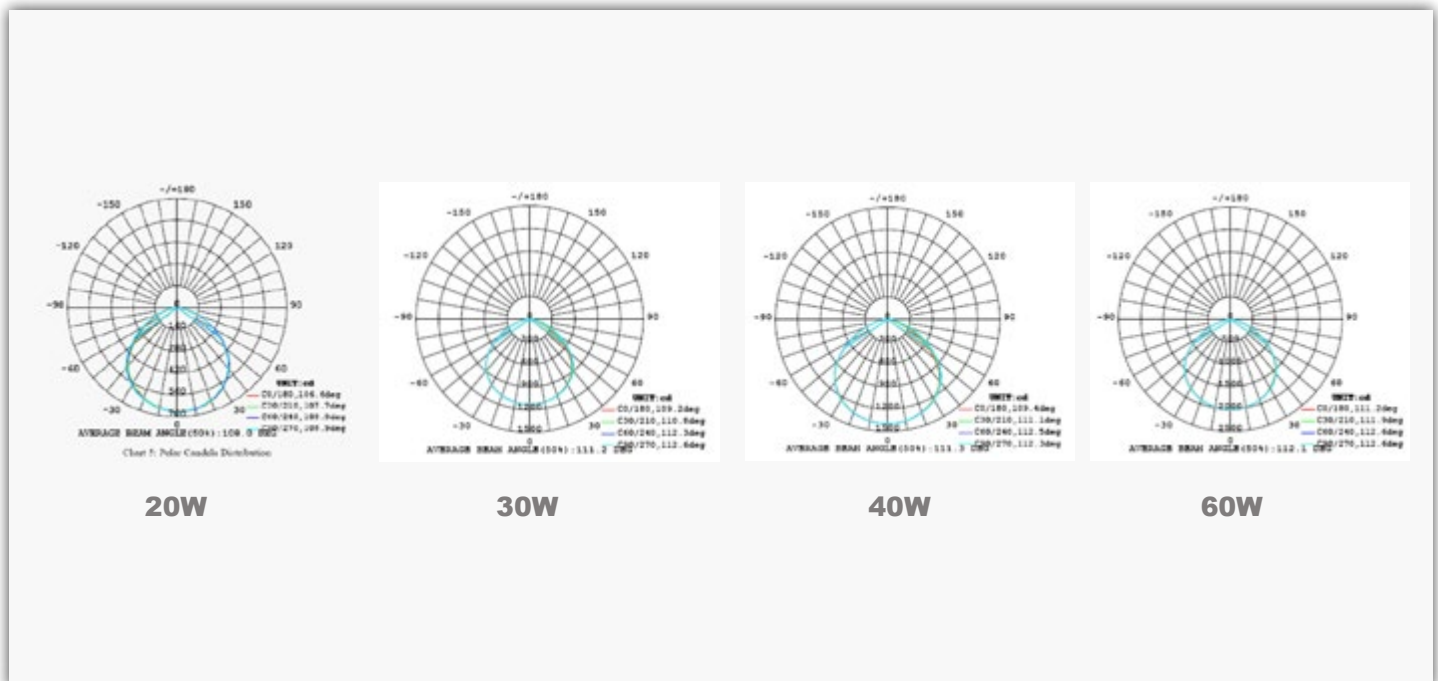
Use these factors to determine relative lumen output for average ambient temperature from 32-104°F (0-40°C)

Ambient		Multiplier
Celsius	Fahrenheit	
0	32	1.02
10	50	1.01
20	68	1.00
25	77	1.00
30	86	1.00
40	104	0.99

Operating Hours	0	25,000	50,000	100,000	250,000
	Lumen Maintenance Factor	1.0	0.98(L98)	0.96(L96)	0.92(L92)

### Photometry

All published luminaire photometric testing performed to IESNA LM-79-08 standards by a NVLAP certified laboratory. Download the IES files at <http://www.abblighting.com/IESfiles>



## PRODUCT SPECIFICATIONS

### CONSTRUCTION & MATERIALS

- Housing is all aluminum construction
- Terminal block for power input suitable for 2 - 10 AWG wire
- Luminaire sides are rugged die cast aluminum with integral, weathertight LED driver compartments and high performance heat sinks
- Surface-mount directly to a vertical or horizontal surface with direct included mount bracket

System Wattage	Max THD (%)	Power Factor	Power Efficiency
20W	20	>0.9	90%
30W	20	>0.9	90%
40W	20	>0.9	90%
60W	20	>0.9	90%

Ref#: AB10150-11212

### ELECTRICAL SYSTEM

- Input Voltage: 120-277V
- 50/60Hz
- Class 1 drivers
- Minimum Ambient -40
- Power Factor: > 0.95 at full load
- Total Harmonic Distortion: < 20% at full load
- Integral 6KV surge suppression protection standard
- To address inrush current, slow blow fuse or type C/D breaker should be used

### CERTIFICATIONS AND QUALIFICATIONS

- CETLus Listed
- Suitable for damp location
- IP44 rated
- Comes standard with 6kV surge suppression protection tested in accordance with IEEE/ANSI C62.41.2
- DLC qualified. Please refer to <http://www.designlights.org/QPL> for most current information
- RoHS compliant
- Complies with 2013 California Title 24 building and electrical codes as a residential outdoor lighting fixture and as a commercial outdoor non-pole-mounted fixture ≤ 30 Watts

### Warranty

Five year limited warranty. Full warranty terms located at [www.abblighting.com/warrantystatements](http://www.abblighting.com/warrantystatements)

**Note:** Specifications subject to change without notice.