

LED DOWNLIGHT



PRODUCT DESCRIPTION

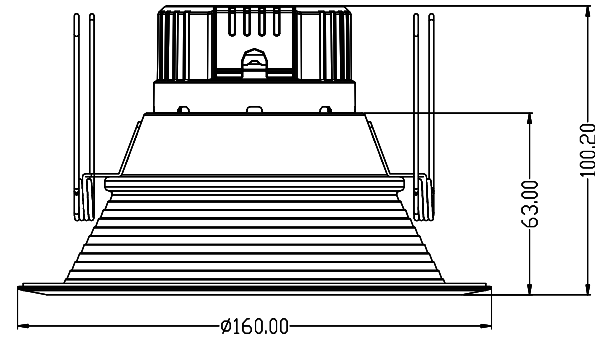
LED down light is suitable for dry and damp location. Uniform light, fast response, high CRI, stable quality. Compatible with most residential and commercial dimmers, Triac dimming model. Comfortable diffused light. Retrofit E26 base and connector are available. Easy for installation and convenient to use.

SPECIFICATION

Depth: 5" / 100.2mm

Diameter: 6.3" / 160mm

Max. Weight: 0.46 lbs



Ordering Information

Example: DL1030-5

Brand	Figure	Watts	CCT	Dimension
ABBlighting	DL - Downlight	10 10 Watts	30-3000K	5-5"

* Special Order- Ask Customer Service for Details

PERFORMANCE DATA

LUMEN OUTPUT

Lumen values are measured by third party certified laboratories performed in accordance with IESNA LM-79-08 as well as Lighting Facts listed.

Lumen Ambient Temperature (LAT) Multipliers

Use these factors to determine relative lumen output for average ambient temperature from 32-130°F (0-54°C)

Watts	Lumen Output	Drive Current	Measured Watts	CRI	Dist. Type	LPW
10W	600	2.8A	10W	>80	N/A	88

Ambient		Multiplier
Celsius	Fahrenheit	
0	32	1.02

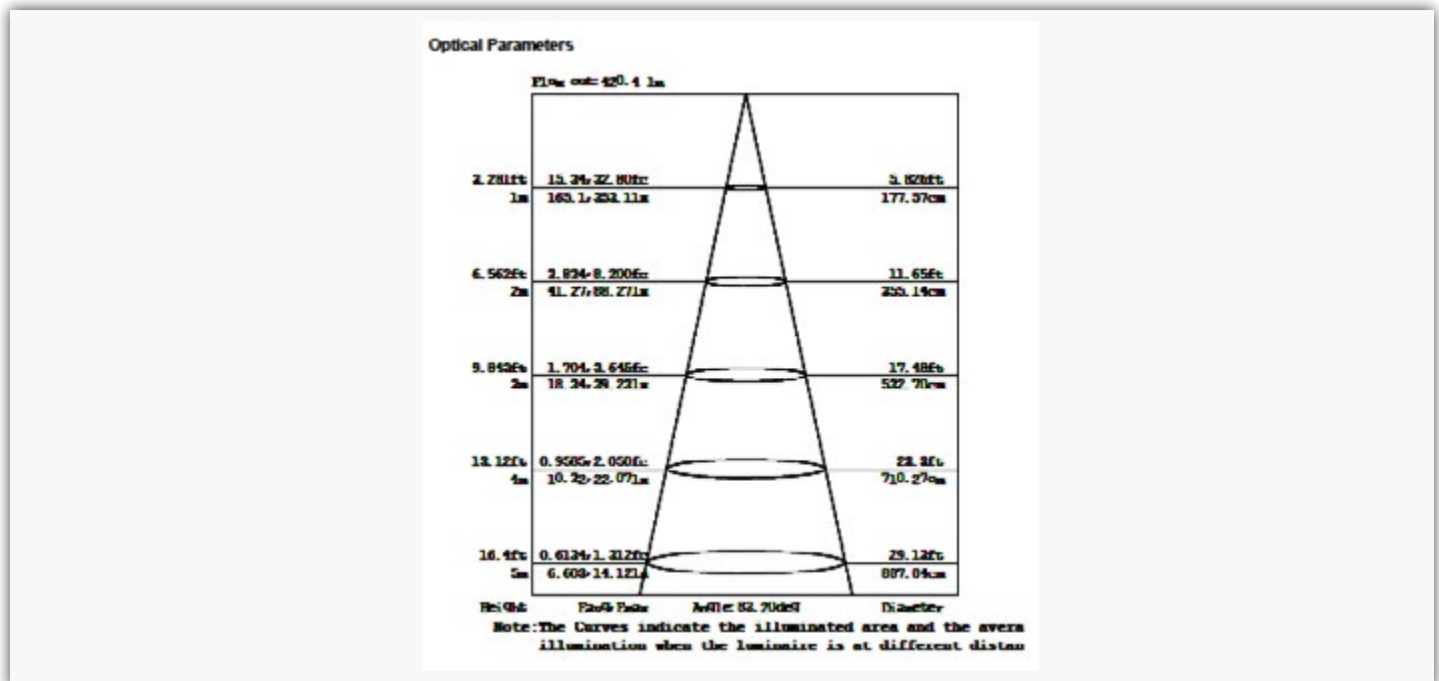
Projected LED Lumen Maintenance

Data references the extrapolated performance projections for the ABB's LED downlight in a 130F ambient, (tested per IESNA LM-80-08 and projected per IESNA TM-21-11).

Operating Hours	0	6,000	12,000	24,000	70,000
Lumen Maintenance Factor	1.0	0.98(L98)	0.96(L96)	0.92(L92)	0.70(L70)

Photometry

All published luminaire photometric testing performed to IESNA LM-79-08 standards by a NVLAP certified laboratory. Download the IES files at <http://www.abblighting.com/IESfiles>



PRODUCT SPECIFICATIONS

ELECTRICAL SYSTEM

- Input Voltage: 120V
- 50/60Hz
- Class 1 drivers
- Minimum Ambient -40°
- Power Factor: > 0.98 at full load
- Total Harmonic Distortion: < 20% at full load
- Integral 40KV surge suppression protection standard
- To address inrush current, slow blow fuse or type C/D breaker should be used

System Wattage	Max THD (%)	Power Factor	Power Efficiency
10W	20	>0.9	90%

Ref#: AB100704-11212

CERTIFICATIONS AND QUALIFICATIONS

- CETLus
- Suitable for damp locations
- Comes standard with 4kV surge suppression protection tested in accordance with IEEE/ANSI C62.41.2
- Energy Star
- RoHS compliant

Warranty

Five year limited warranty. Full warranty terms located at www.abblighting.com/warrantystatements

Note: Specifications subject to change without notice.