

SUITABLE FOR MODEL



IMAGE MAY VARY FROM ACTUAL PRODUCT

SAFETY INSTRUCTION

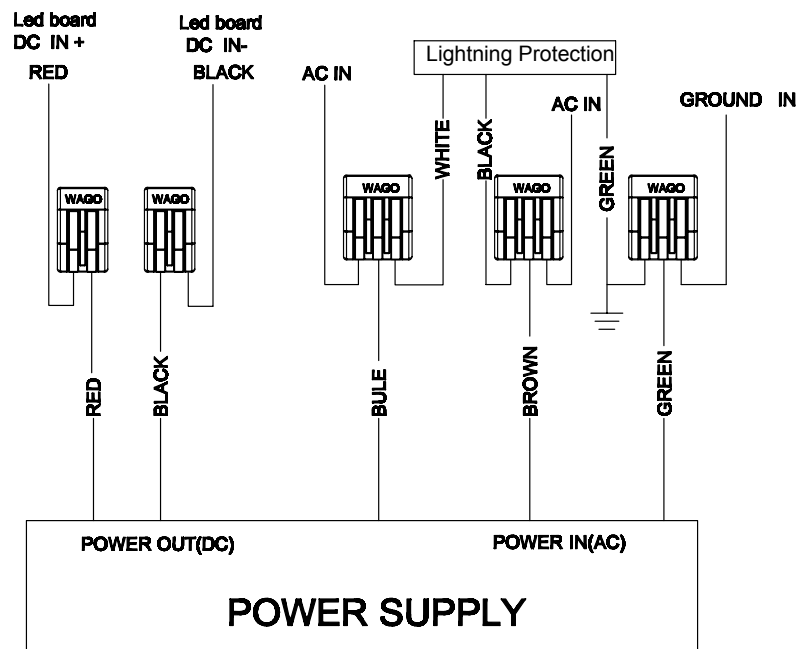
READ CAREFULLY BEFORE INSTALLING FIXTURE. PLEASE KEEP THIS MANUAL FOR FUTURE USING.
Fixtures must be wired in accordance with the National Electrical Code and all applicable local codes. Proper grounding is required for safety.

THIS PRODUCT MUST BE INSTALLED IN ACCORDANCE WITH THE APPLICATION CODE BY A PERSON FAMILIAR WITH THE CONSTRUCTION AND OPERATION OF THE PRODUCT AND THE HAZARDS INVOLVED. MAKE CERTAIN POWER OFF BEFORE INSTALLING OR MAINTAINING FIXTURE. CHECK THAT VOLTAGE IS COMPATIBLE WITH FIXTURE DRIVER, USE APPROVED CONNECTORS FOR ALL ELECTRICAL CONNECTIONS.

MAINTENANCE CAUTION

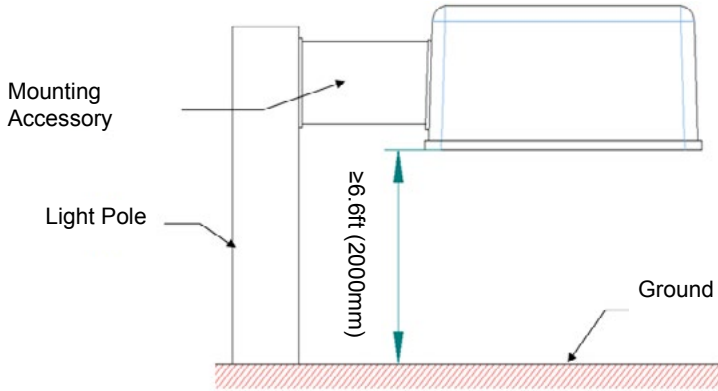
1. Review the wire connection before beginning, and make sure fixture is grounded properly.
2. For lighting controls, using functioning correctly.
3. Turn power off and wait for fixture cooling to operate.
4. Maintenance must be done by professionals.

WIRE CONNECTION



INSTALLATION

The light should be installed in the way of below picture showed, height $\geq 6.6\text{ft}$ (2000mm)



1. First prepare all the parts and accessories that used for installation (prepared by User) Cut off the power before installation
2. Screw off the four fixing bolts, and open the front cover
***Notices: Carefully protect the spindle when opening the front cover
3. Elicit the 3 -phase wires from the side hole, and then connect the 3 wires with 3 "WAGO" connectors.
***Notices: Should be properly grounded
4. Replace the front cover, and screw on the fixing bolts.
5. Choose a suitable place for installation, and switch on the power

NOTE:

- A. Installation and maintenance should be operated by professional person;
- B. If damaged housing or cover found, the light should be taken as substandard product, no more installation allowed.

WARRANTY

LIMITED FIVE-YEAR WARRANTY. Should this product fail to perform satisfactorily due to a defect or poor workmanship within five years from the date of purchase, return it to the place of purchase and it will be replaced, free of charge. Incidental or consequential damages are excluded from the warranty.