

LED TROFFER RETROFIT KIT

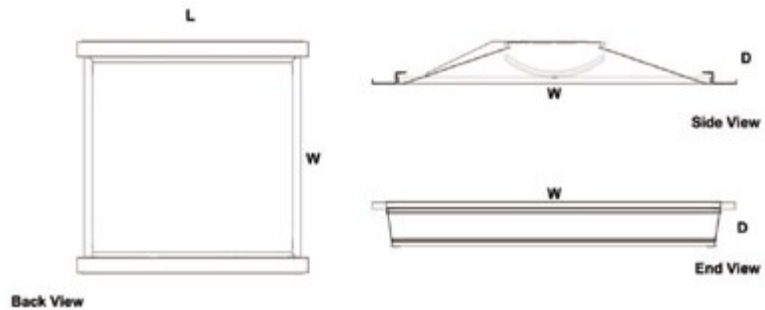


PRODUCT DESCRIPTION

LED troffer retrofit kit is suitable for office, hospital, retail and low bay environments. The fixture is one piece and enclosed steel framed bracket. It is designed to replace fluorescent lamp fixture. Fully integrated reversible hinged optical assembly allows for rapid troffer conversion. Upgrade to modern full distribution architectural aesthetics providing controlled soft, uniform light distribution without pixilation. Easy installation and don't need to remove existing fixture housing. Available in both 2x2 and 2x4 configurations.

SPECIFICATION

Length: 22.44"
 Width: 20.5"
 Height: 3.55"
 Max. Weight: 12 lbs



Ordering Information

Example: TRK22D25xx

Figure	Dimension	Dimmable	Watts	CCT
TRK - TROFFER RETROFIT KIT	22 - 2'x2'	D Dimmable	18	30 - 3000K
			18 Watts	35 - 3500K
			25	40 - 4000K
			25 Watts	50 - 5000K
			32	
			32 Watts	

* Special Order- Ask Customer Service for Details

PERFORMANCE DATA

LUMEN OUTPUT

Lumen values are measured by third party certified laboratories performed in accordance with IESNA LM-79-08 as well as Lighting Facts listed.

Lumen Ambient Temperature (LAT) Multipliers

Use these factors to determine relative lumen output for average ambient temperature from 32-104°F (0-40°C)

Watts	Lumen Output	Drive Current	Measured Watts	CRI	Dist. Type	LPW
18W	2160	2.8A	18W	>80	N/A	120
25W	2331	2.8A	25W	>80	N/A	98
32W	2938	2.8A	32W	>80	N/A	98

Ambient		Multiplier
Celsius	Fahrenheit	
0	32	1.02

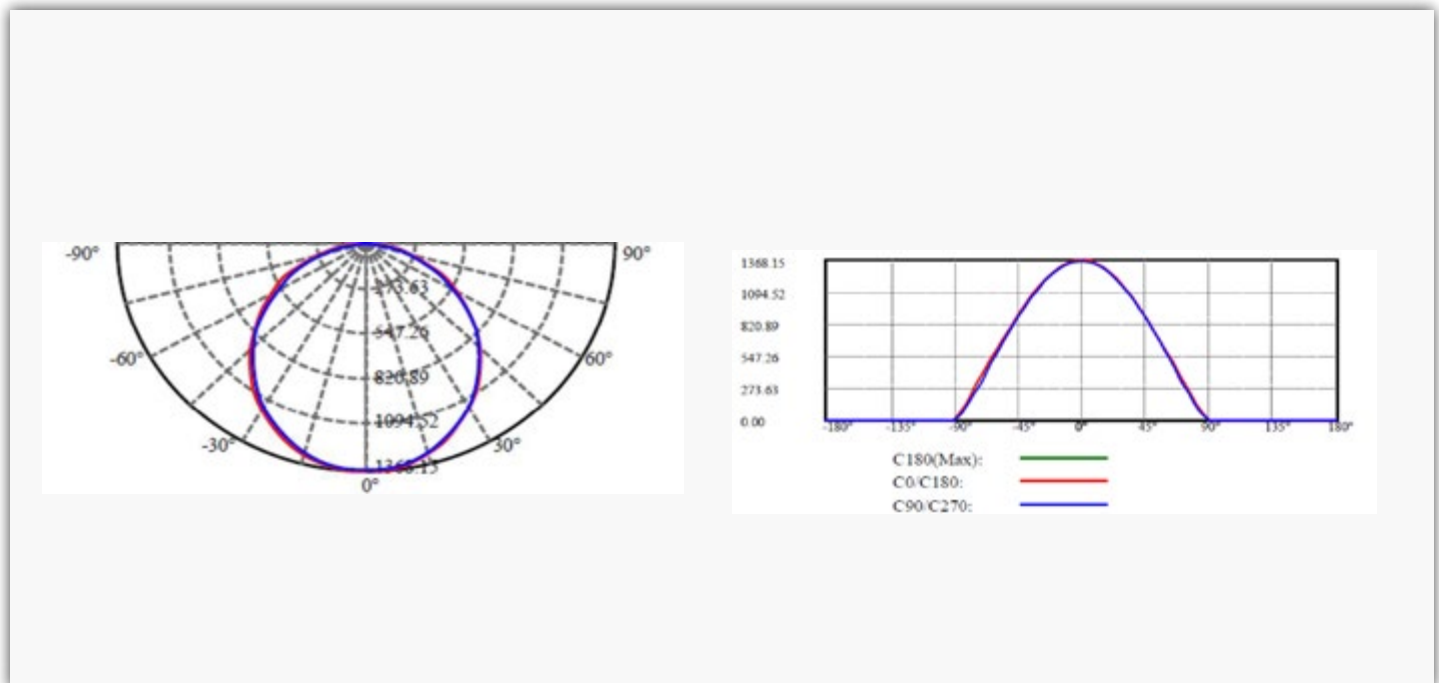
Projected LED Lumen Maintenance

Data references the extrapolated performance projections for the LED troffer retrofit kit in a 104°F ambient, (tested per IESNA LM-80-08 and projected per IESNA TM-21-11).

Operating Hours	0	6,000	12,000	24,000	70,000
Lumen Maintenance Factor	1.0	0.98(L98)	0.96(L96)	0.92(L92)	0.70(L70)

Photometry

All published luminaire photometric testing performed to IESNA LM-79-08 standards by a NVLAP certified laboratory. Download the IES files at <http://www.abblighting.com/IESfiles>



PRODUCT INSTALLATION

1. To avoid the possibility of electrical shock turn off power supply before installation or servicing of this fixture.
2. Remove Lens (Louver) from existing fixtures.
3. Slide Universal Frame bracket under the fixture and between the T-Bar.(Fig.1.1)

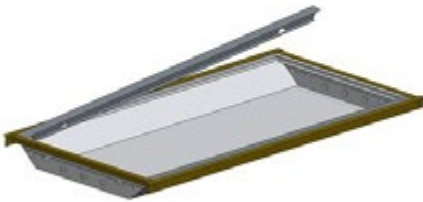


Fig.1.1

4. Repeat above step for the other side of the fixture.(Fig.1.2).

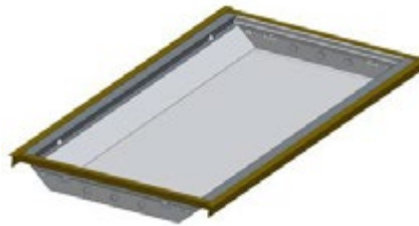


Fig.1.2

5. Place Light Engine Lens Assembly's hinge pins into the universal frame brackets (Fig.1.3).

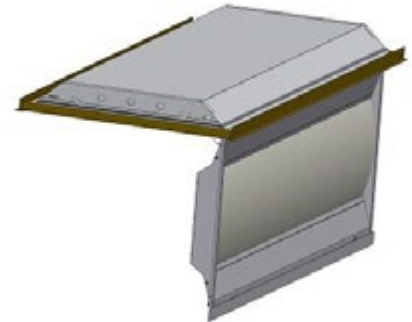


Fig.1.3

6. With the provided self tapping screws attach safety cable into the existing fixture.(Fig.1.4).

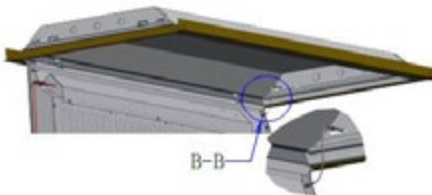


Fig.1.4

7. Wire the ground with a wire nut. Connect incoming power lines to fixture With provided disconnects (Fig.1.5).

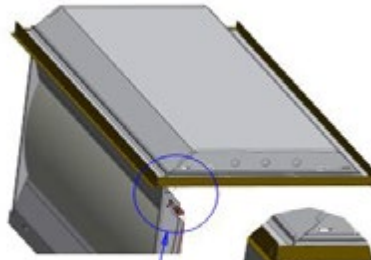


Fig.1.5

8. Raise the frame and push up into the existing fixture and close the latches. The latch should lock into the previously installed universal frame brackets(Fig.1.6).

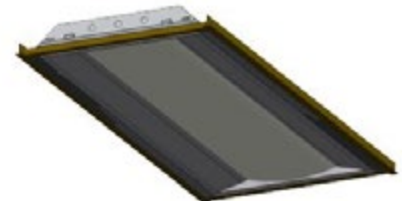


Fig.1.6

PRODUCT SPECIFICATIONS

ELECTRICAL SYSTEM

- Input Voltage: 120-277V
- 50/60Hz
- Class II drivers
- Minimum Ambient 0°C, maximum 40°C
- Power Factor: > 0.98 at full load
- Total Harmonic Distortion: < 20% at full load

System Wattage	Max THD (%)	Power Factor	Power Efficiency
18W	20	>0.98	90%
25W	20	>0.98	90%
32W	20	>0.98	90%

Ref#: 10264-11212

CERTIFICATIONS AND QUALIFICATIONS

- UL/CUL
- Suitable for dry or damp locations
- RoHS compliant

Warranty

Five year limited warranty. Full warranty terms located at www.abblighting.com/warrantystatements

Note: Specifications subject to change without notice.