

LED CANOPY



IMAGE MAY VARY FROM ACTUAL PRODUCT

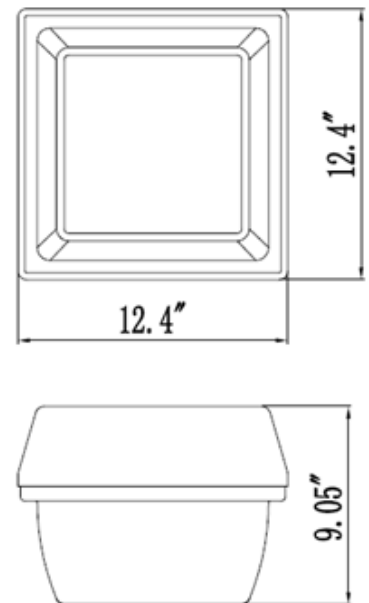


PRODUCT DESCRIPTION

LED Canopy is designed to engineer light with 30 percent more light in 60 to 80 degree zonal region, and less than 25 percent light lost above the 70 to 80 degree plane. Heat and shock resistant. Energy Savings of as much as 90% than traditional lighting. Free of maintenance.

SPECIFICATION

Depth: 9.05"
 Width: 12.4"
 Length: 12.4"
 Max. Weight: 7.7 lbs



Ordering Information

Example: ABBCAN40501-MS

Brand	Figure	Watts	CCT	Voltage	Lighting Controls
ABB lighting	CAN - CANOPY	20	40-4000K	1-120V-277V	MS - Motion Sensor
		20 Watts	50-5000K		
		40			
		38 Watts			
		55			
		52 Watts			
		70			
		70 Watts			

* Special Order- Ask Customer Service for Details

PERFORMANCE DATA

LUMEN OUTPUT

Lumen values are measured by third party certified laboratories performed in accordance with IESNA LM-79-08 as well as Lighting Facts listed.

Watts	Lumen Output	Output Drive Current	Measured Watts	CRI	Dist. Type	LPW
20W	2569	0.7A	20W	>20	N/A	128
38W	3665	1.05A	38W	>70	N/A	96
52W	4863	1.45A	52W	>70	N/A	94
70W	6429	1.95A	70W	>70	N/A	92

Lumen Ambient Temperature (LAT) Multipliers

Use these factors to determine relative lumen output for average ambient temperature from -31-104°F (-35-50°C)

Ambient		Multiplier
Celsius	Fahrenheit	
0	32	1.02
10	50	1.01
20	68	1.00
25	77	1.00
30	86	1.00
40	104	0.99

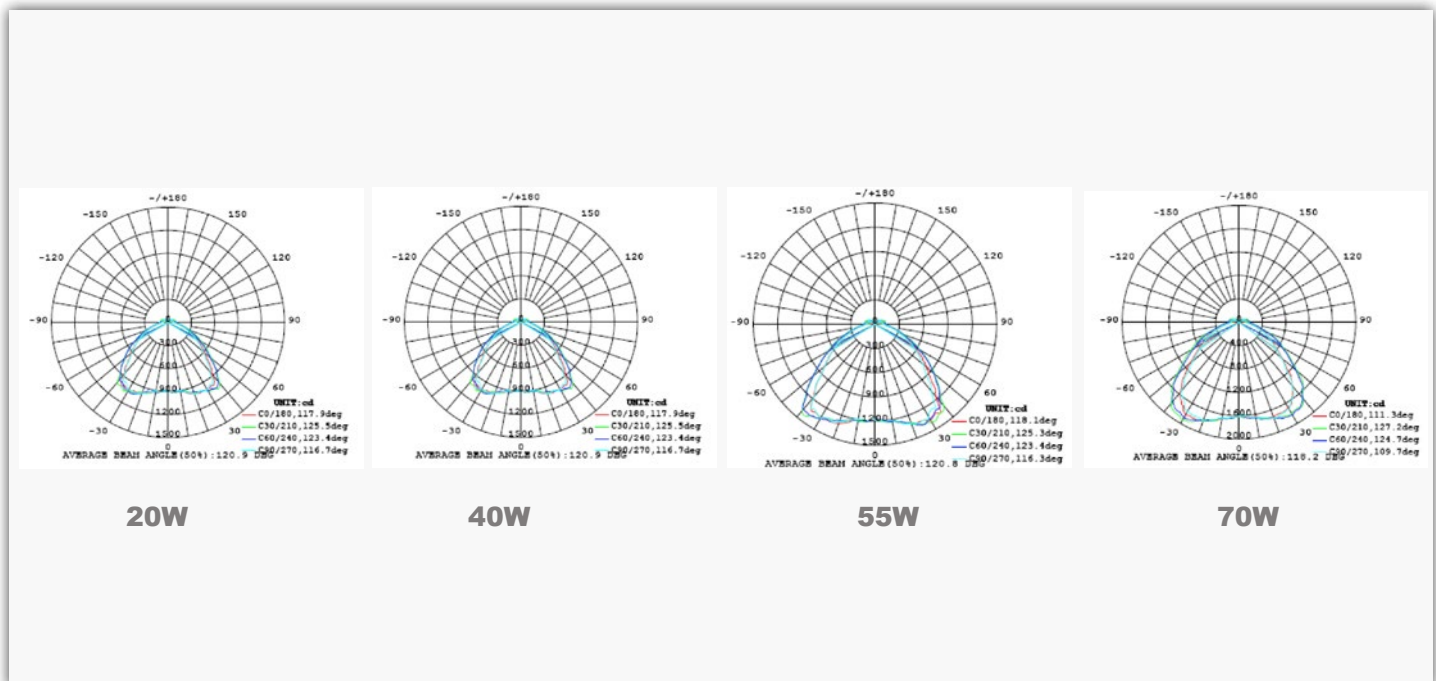
Projected LED Lumen Maintenance

Data references the extrapolated performance projections for LED Canopy fixtures in a 104°F ambient, (tested per IESNA LM-80-08 and projected per IESNA TM-21-11).

Operating Hours	Lumen Maintenance Factor				
	0	25,000	50,000	100,000	250,000
Lumen Maintenance Factor	1.0	0.98(L98)	0.96(L96)	0.92(L92)	0.70(L70)

Photometry

All published luminaire photometric testing performed to IESNA LM-79-08 standards by a NVLAP certified laboratory. Download the IES files at <http://www.abblighting.com/IESfiles>



PRODUCT SPECIFICATIONS

CONSTRUCION & MATERIALS

- Housing is all aluminum construction
- Terminal block for power input suitable for #2 - #10 AWG wire
- Luminaire sides are rugged die cast aluminum with integral, weathertight LED driver compartments and high performance heat sinks
- Surface-mount directly to a vertical or horizontal surface with included mount bracket

System Wattage	Max THD (%)	Power Factor	Power Efficiency
20W	20	>0.98	90%
38W	20	>0.98	90%
52W	20	>0.98	90%
70W	20	>0.98	90%

Ref#: 10139-11209

ELECTRICAL SYSTEM

- Input Voltage: 120-277V
- 50/60Hz
- Class II driver
- Minimum Ambient -35°C
- Power Factor: > 0.9 at full load
- Total Harmonic Distortion: < 20% at full load
- Integral 4kV surge suppression protection standard
- To address inrush current, slow blow fuse or type C/D breaker should be used

DIMMABLE FEATURE

- 0-10V dimming

CERTIFICATIONS AND QUALIFICATIONS

- cETLus Listed
- Suitable for wet location
- IP65 rated
- Comes standard with 4kV surge suppression protection tested in accordance with IEEE/ANSI C62.41.2
- DLC qualified. Please refer to <http://www.designlights.org/QPL> for most current information
- RoHS compliant
- Complies with 2013 California Title 24 building and electrical codes as a residential outdoor lighting fixture and as a commercial outdoor non-pole-mounted fixture ≤ 30 Watts

Warranty

Five year limited warranty. Full warranty terms located at www.abblighting.com/warrantystatements

Note: Specifications subject to change without notice.