

## SUITABLE FOR MODEL



IMAGE MAY VARY FROM ACTUAL PRODUCT

### SAFETY INSTRUCTION

**READ CAREFULLY BEFORE INSTALLING FIXTURE. PLEASE KEEP THIS MANUAL FOR FUTURE USING.**

Fixtures must be wired in accordance with the National Electrical Code and all applicable local codes. Proper grounding is required for safety.

**THIS PRODUCT MUST BE INSTALLED IN ACCORDANCE WITH THE APPLICATION CODE BY A PERSON FAMILIAR WITH THE CONSTRUCTION AND OPERATION OF THE PRODUCT AND THE HAZARDS INVOLVED.**

**MAKE CERTAIN POWER OFF BEFORE INSTALLING OR MAINTAINING FIXTURE.**

**CHECK THAT VOLTAGE IS COMPATIBLE WITH FIXTURE DRIVER, USE APPROVED CONNECTORS FOR ALL ELECTRICAL CONNECTIONS.**

### MAINTENANCE CAUTION

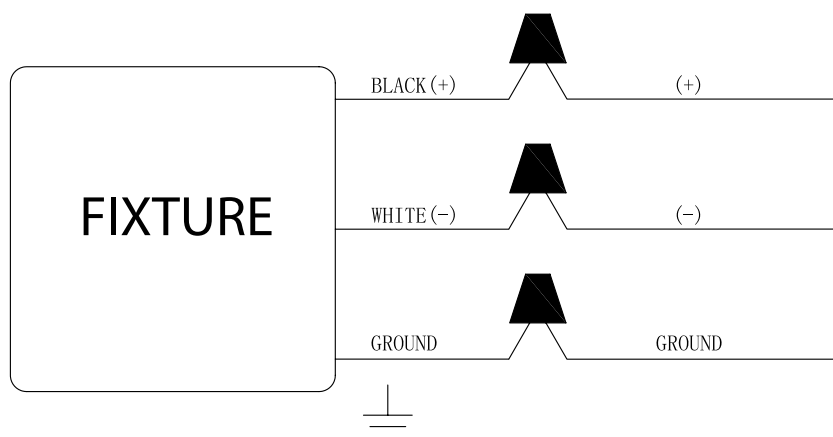
1. Review the wire connection before beginning, and make sure fixture is grounded properly.
2. For lighting controls, using functioning correctly.
3. Turn power off and wait for fixture cooling to operate.
4. Maintenance must be done by professionals.

## WIRE CONNECTION

Universal voltage driver permits operation at 120V-277V 50 or 60Hz

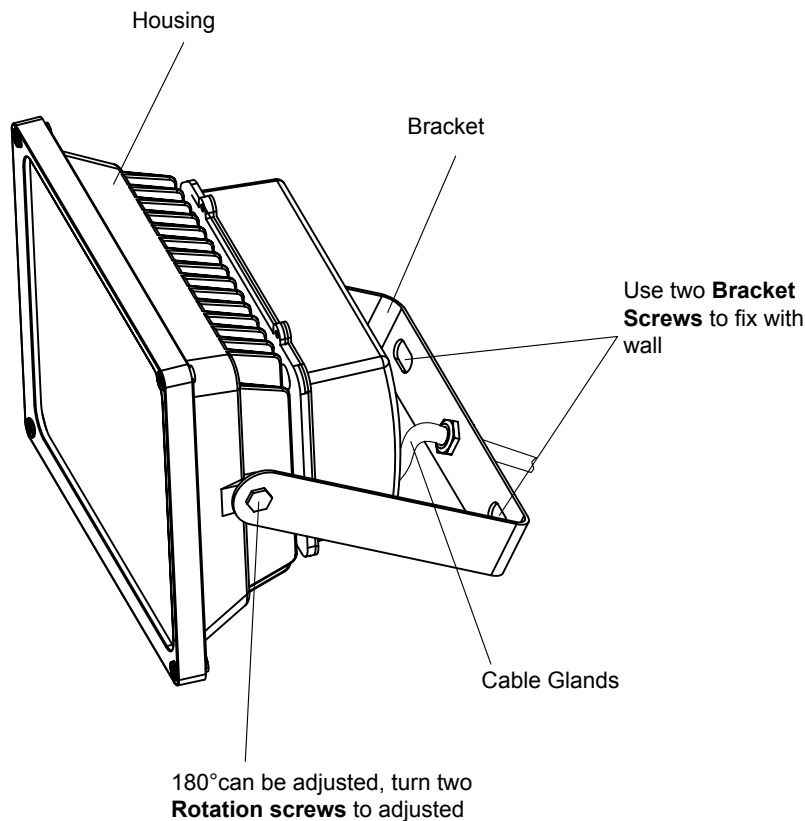
Connect supply wires to quick connect supplied Black/ Hot supply black. White/ Neutral supply with white wire.

Connect ground wire with green wire.



## INSTALLATION

1. Screw the two **Rotation screws** off the bracket.
2. Fix the bracket with the wall by two **Bracket screws** (No include in package).
3. Fix back the bracket with housing case by two **Rotation screws**.
4. Connect wire.



## WARRANTY

LIMITED FIVE-YEAR WARRANTY. Should this product fail to perform satisfactorily due to a defect or poor workmanship within five years from the date of purchase, return it to the place of purchase and it will be replaced, free of charge. Incidental or consequential damages are excluded from the warranty.