

LED PARKING GARAGE



IMAGE MAY VARY FROM ACTUAL PRODUCT

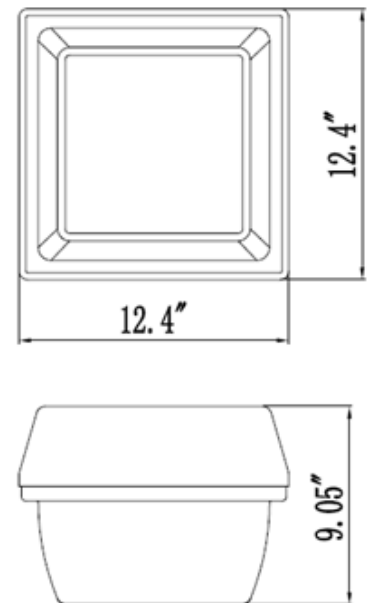


PRODUCT DESCRIPTION

LED Parking Garage is designed a beam spread from 0 to 170 degrees to reach the edge of the drive-through gas pump structures at service stations. Heat and shock resistant. Energy Savings of as much as 90% than traditional lighting. Free of maintenance.

SPECIFICATION

Depth: 9.05"
 Width: 12.4"
 Length: 12.4"
 Max. Weight: 7.7 lbs



Ordering Information

Example: ABBPKG70501-MSO

Brand	Figure	Watts	CCT	Voltage	Lighting Controls
ABB lighting	PKG - Parking Garage	40	40-4000K	1-120V-277V	MS - Motion Sensor MSO - ON/OFF motion Sensor
		38 Watts	50-5000K		
		55			
		52 Watts			
		70			
		70 Watts			

* Special Order- Ask Customer Service for Details

PERFORMANCE DATA

LUMEN OUTPUT

Lumen values are measured by third party certified laboratories performed in accordance with IESNA LM-79-08 as well as Lighting Facts listed.

Watts	Lumen Output	Output Drive Current	Measured Watts	CRI	Dist. Type	LPW
38W	3600	1.05A	38W	>70	N/A	103.6
52W	4754	1.45A	52W	>70	N/A	96
70W	6287	1.95A	70W	>70	N/A	95

Lumen Ambient Temperature (LAT) Multipliers

Use these factors to determine relative lumen output for average ambient temperature from -31-104°F (-35-50°C)

Ambient		Multiplier
Celsius	Fahrenheit	
0	32	1.02
10	50	1.01
20	68	1.00
25	77	1.00
30	86	1.00
40	104	0.99

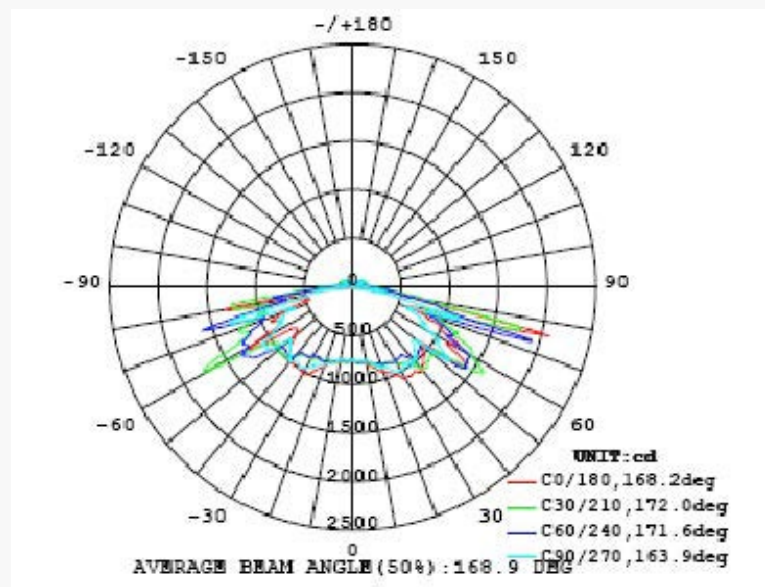
Projected LED Lumen Maintenance

Data references the extrapolated performance projections for LED parking garage light in a 104°F ambient, (tested per IESNA LM-80-08 and projected per IESNA TM-21-11).

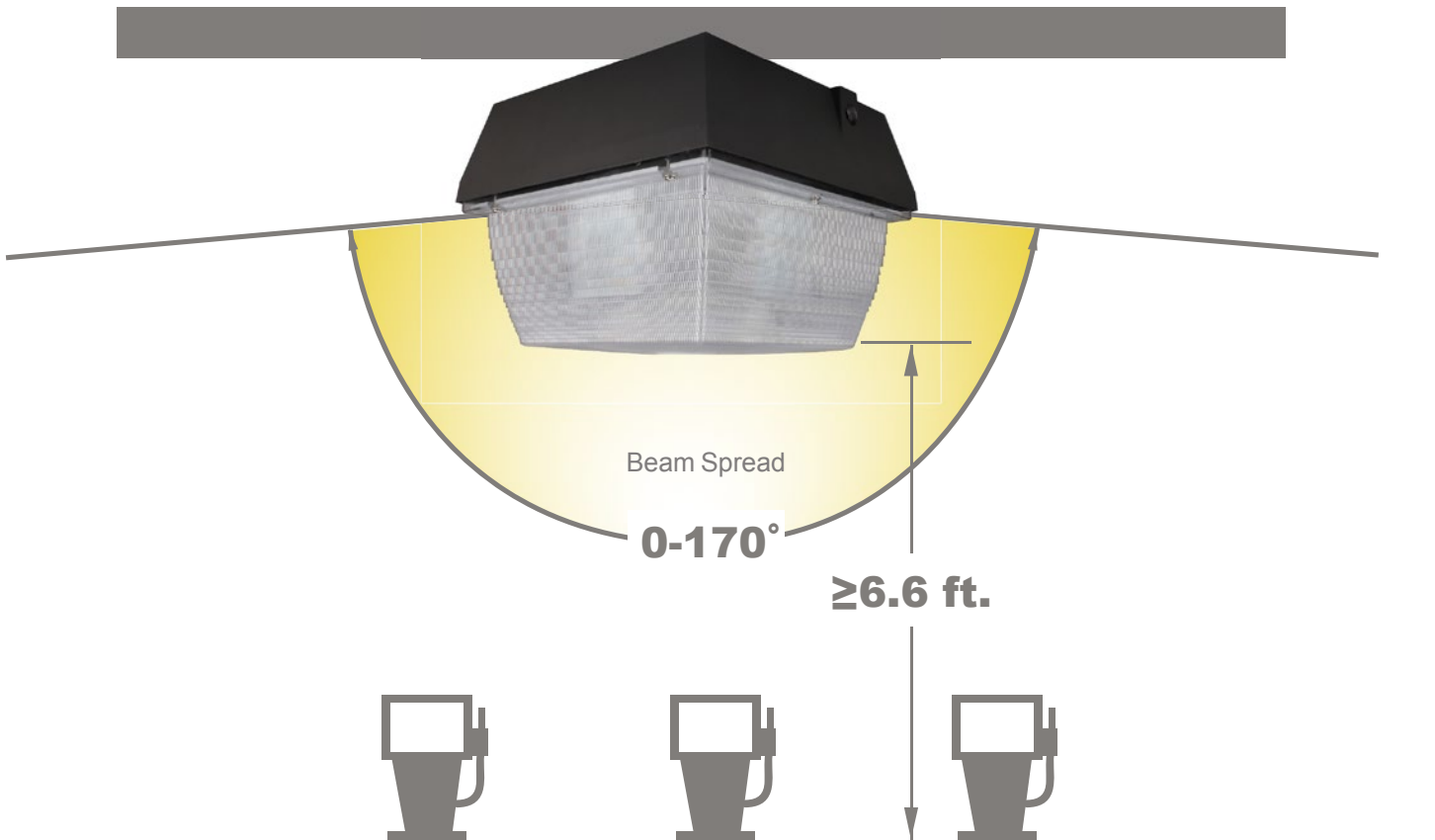
Operating Hours	0	25,000	50,000	100,000	250,000
	Lumen Maintenance Factor	1.0	0.98(L98)	0.96(L96)	0.92(L92)

Photometry

All published luminaire photometric testing performed to IESNA LM-79-08 standards by a NVLAP certified laboratory. Download the IES files at <http://www.abblighting.com/IESfiles>



FEATURES



PRODUCT SPECIFICATIONS

CONSTRUCION & MATERIALS

- Housing is all aluminum construction
- Terminal block for power input suitable for #2 - #10 AWG wire
- Luminaire sides are rugged die cast aluminum with integral, weathertight LED driver compartments and high performance heat sinks
- Surface-mount directly to a vertical or horizontal surface with included mount bracket

System Wattage	Max THD (%)	Power Factor	Power Efficiency
38W	20	>0.98	90%
52W	20	>0.98	90%
70W	20	>0.98	90%

Ref#: 10435-11209

ELECTRICAL SYSTEM

- Input Voltage: 120-277V
- 50/60Hz
- Class II driver
- Minimum Ambient -35°C
- Power Factor: > 0.9 at full load
- Total Harmonic Distortion: < 20% at full load
- Integral 4kV surge suppression protection standard
- To address inrush current, slow blow fuse or type C/D breaker should be used

DIMMABLE FEATURE

- 0-10V dimming

CERTIFICATIONS AND QUALIFICATIONS

- cETLus Listed
- Suitable for wet location
- IP65 rated
- Comes standard with 4kV surge suppression protection tested in accordance with IEEE/ANSI C62.41.2
- DLC qualified. Please refer to <http://www.designlights.org/QPL> for most current information
- RoHS compliant
- Complies with 2013 California Title 24 building and electrical codes as a residential outdoor lighting fixture and as a commercial outdoor non-pole-mounted fixture ≤ 30 Watts

Warranty

Five year limited warranty. Full warranty terms located at www.abblighting.com/warrantystatements

Note: Specifications subject to change without notice.