

SUITABLE FOR MODEL



IMAGE MAY VARY FROM ACTUAL PRODUCT

SAFETY INSTRUCTION

READ CAREFULLY BEFORE INSTALLING FIXTURE. PLEASE KEEP THIS MANUAL FOR FUTURE USING.
Fixtures must be wired in accordance with the National Electrical Code and all applicable local codes. Proper grounding is required for safety.

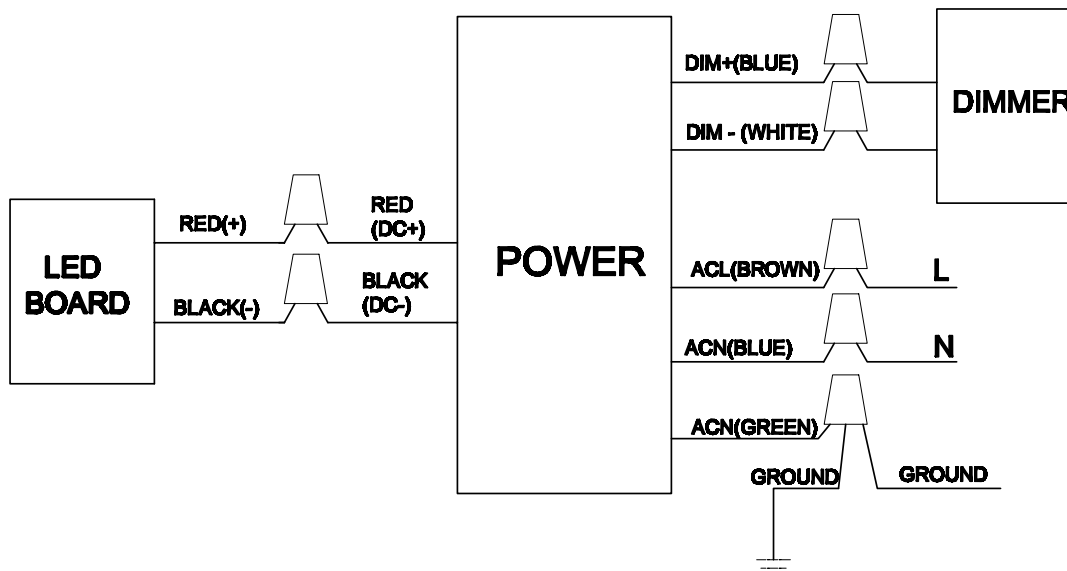
THIS PRODUCT MUST BE INSTALLED IN ACCORDANCE WITH THE APPLICATION CODE BY A PERSON FAMILIAR WITH THE CONSTRUCTION AND OPERATION OF THE PRODUCT AND THE HAZARDS INVOLVED. MAKE CERTAIN POWER OFF BEFORE INSTALLING OR MAINTAINING FIXTURE. CHECK THAT VOLTAGE IS COMPATIBLE WITH FIXTURE DRIVER, USE APPROVED CONNECTORS FOR ALL ELECTRICAL CONNECTIONS.

MAINTENANCE CAUTION

1. Review the wire connection before beginning, and make sure fixture is grounded properly.
2. For lighting controls, using functioning correctly.
3. Turn power off and wait for fixture cooling to operate.
4. Maintenance must be done by professionals.

WIRE CONNECTION

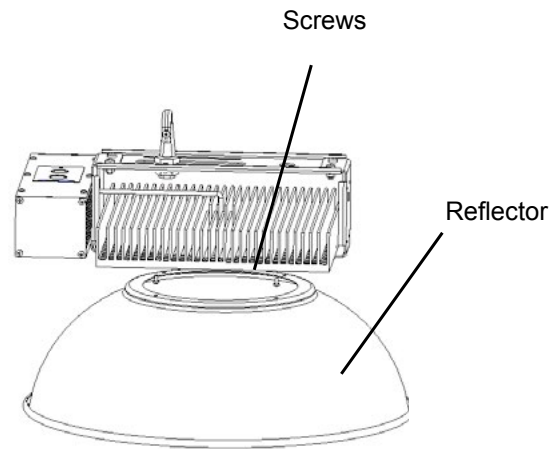
Universal voltage driver permits operation at 120V thru 277V, 50 or 60Hz



INSTALLATION

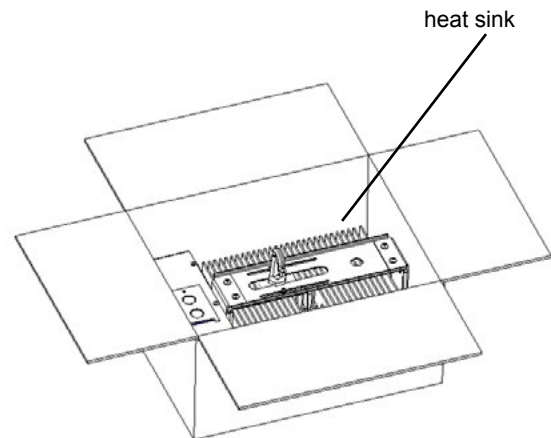
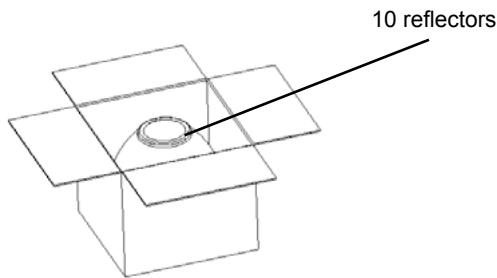
ACCESSORIES PARTS

90W screw 3pcs
 120W screw 3pcs
 155W screw 3pcs
 180W screw 4pcs
 235W screw 4pcs



1.1. Open reflector package (10 pieces reflector in a package) to take reflector, refer below fig.

1.2. Open heat sink package, take radiator off the box, move foam away.



1.3. Unscrew 4 screws off heat sink as fig 1, take a reflector and put reflector hole aligned with the heat sink hole fix the screws with reflector as fig 2.

1.4. Put fixture down.

90W screw 3pcs
 120W screw 3pcs
 155W screw 3pcs
 180W screw 4pcs
 235W screw 4pcs

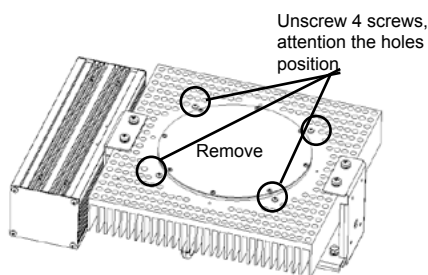


Fig1.

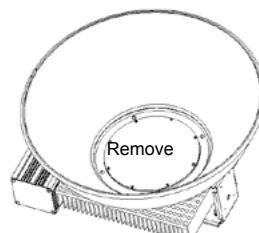
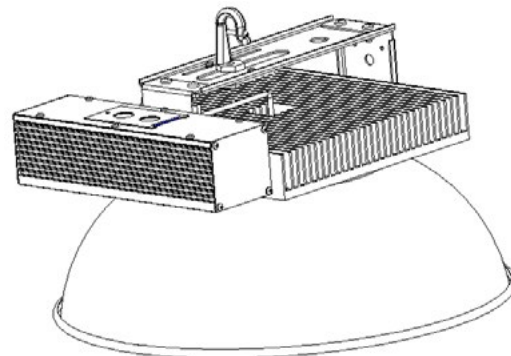
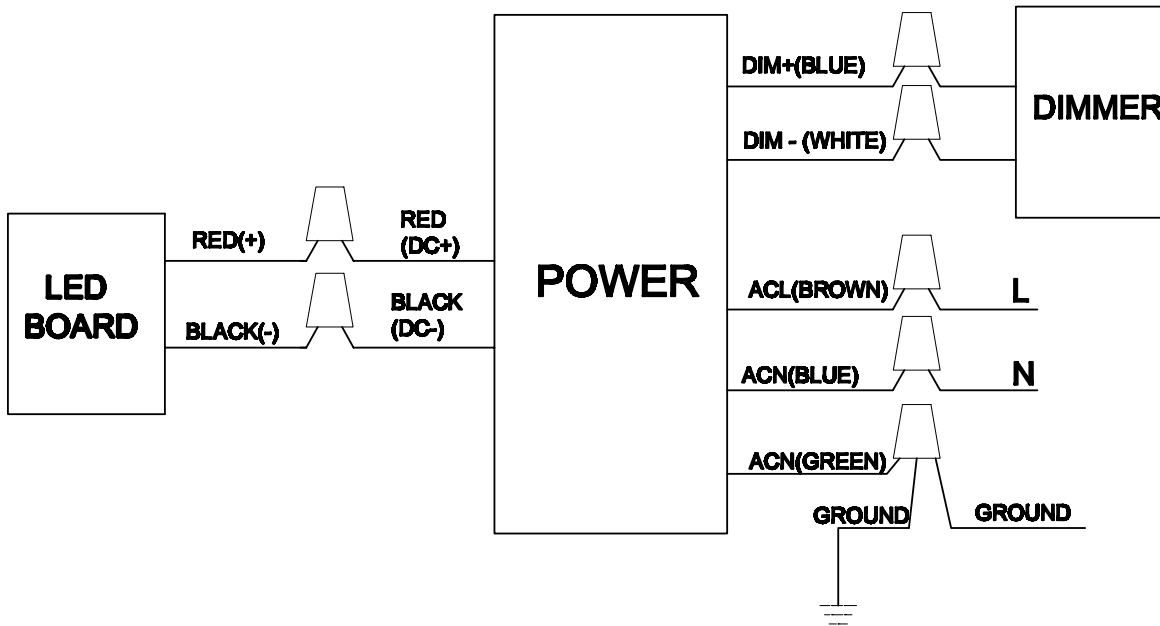


Fig2.

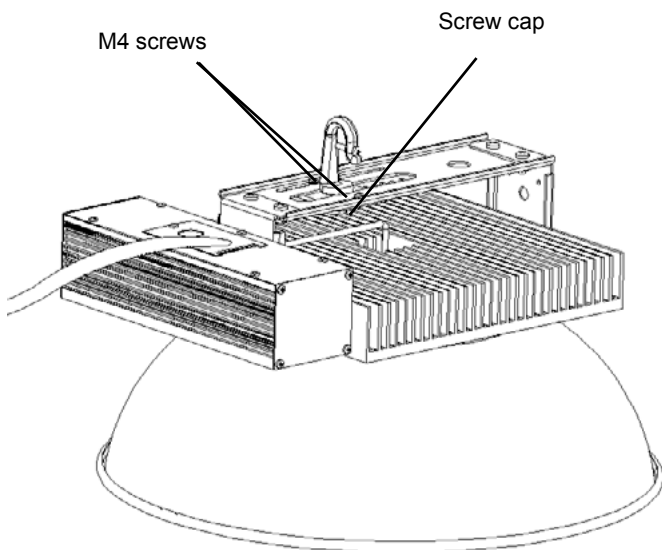


INSTALLATION

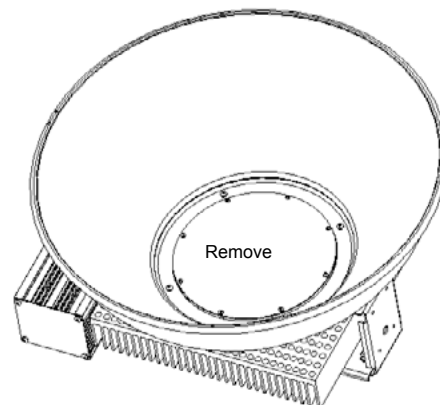
2.1. Install follow wiring fig. hang the fixture, unscrew small door cap, take small door cap away, put input line to small cap, connect input line, lock small door cap to power box (as wiring fig)



2.2. Adjust fixture balance: loose two **M4 screws**, move hanger, adjust fixture to balance, scw two **M4 screws** tightly, lock **Screw cap** as below fig:



2.3. Remove protective film of panel, then turn power on.



WARRANTY

LIMITED FIVE-YEAR WARRANTY. Should this product fail to perform satisfactorily due to a defect or poor workmanship within five years from the date of purchase, return it to the place of purchase and it will be replaced, free of charge. Incidental or consequential damages are excluded from the warranty.