

## SUITABLE FOR MODEL



IMAGE MAY VARY FROM ACTUAL PRODUCT

### SAFETY INSTRUCTION

**READ CAREFULLY BEFORE INSTALLING FIXTURE. PLEASE KEEP THIS MANUAL FOR FUTURE USING.**

Fixtures must be wired in accordance with the National Electrical Code and all applicable local codes. Proper grounding is required for safety.

**THIS PRODUCT MUST BE INSTALLED IN ACCORDANCE WITH THE APPLICATION CODE BY A PERSON FAMILIAR WITH THE CONSTRUCTION AND OPERATION OF THE PRODUCT AND THE HAZARDS INVOLVED. MAKE CERTAIN POWER OFF BEFORE INSTALLING OR MAINTAINING FIXTURE.**

**CHECK THAT VOLTAGE IS COMPATIBLE WITH FIXTURE DRIVER, USE APPROVED CONNECTORS FOR ALL ELECTRICAL CONNECTIONS.**

**THE DISTANCE BETWEEN CEILING AND FIXTURE IS 39.3" (1M) AT LEAST. AVERAGE AMBIENT TEMPERATURE IS FROM -4-104°F (-20-40°C).**

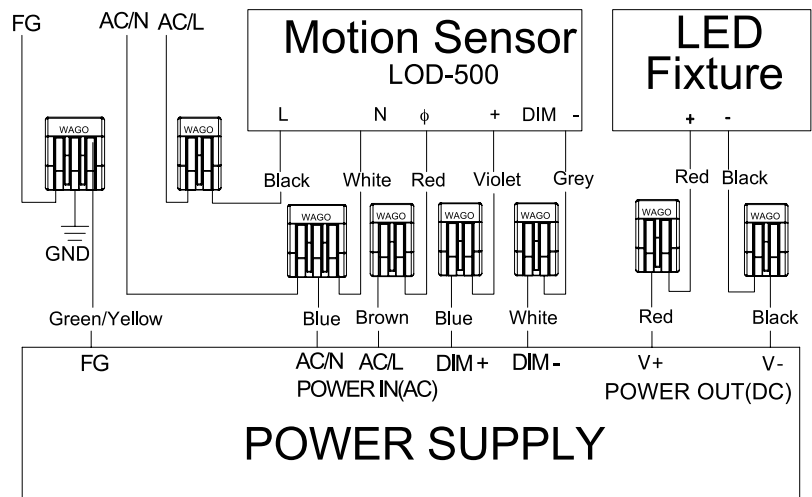
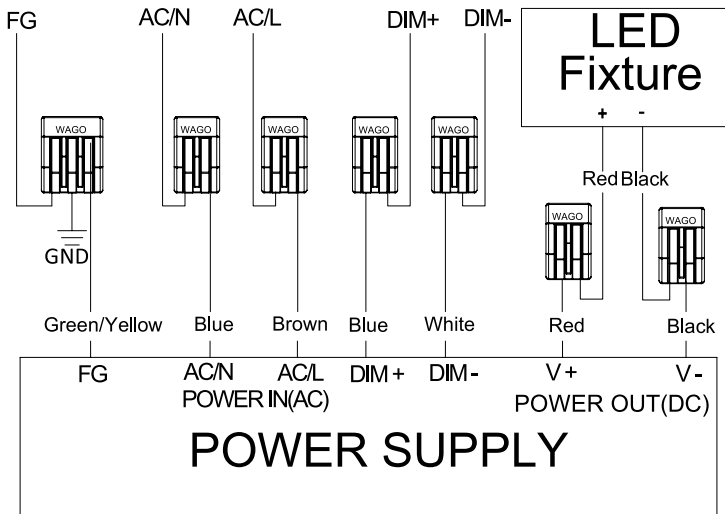
### MAINTENANCE CAUTION

1. Review the wire connection before beginning, and make sure fixture is grounded properly.
2. For lighting controls, using functioning correctly.
3. Turn power off and wait for fixture cooling to operate.
4. Maintenance must be done by professionals.

## WIRE CONNECTION

Universal voltage driver permits operation at 120V thru 277V, 50/60Hz with 0-10V dimming

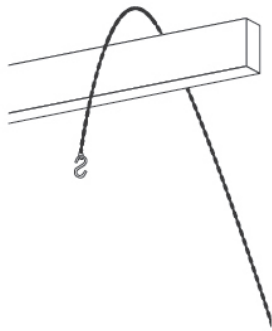
Universal voltage driver permits operation at 120V thru 277V, 50/60Hz with motion sensor



## INSTALLATION

### Installation: Using Standard hanging V-Clips and chain (chain not included)

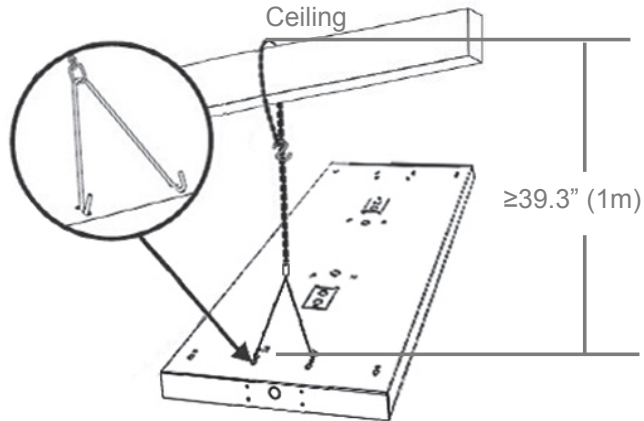
1. Loop the **chain** around the ceiling or service attachment point.
2. Use an **S** or **similar connector** to close the loop.
3. Slide the other end of the **chain** through the **V-Clip** provided with the fixture. Install the **V-Clip** into the **two slots** shown above to support the fixture. The distance between ceiling and fixture is 39.3" (1m) at least.



Step 1



Step 2

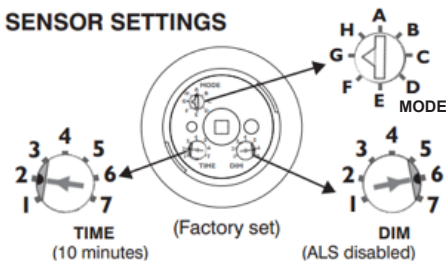


Step 3

### With Motion Sensor (MS) Option



### SENSOR SETTINGS



POS.	1	2	3	4	5	6	7
TIME	1'	3'	5'	10'	15'	20'	30'
DIM	OFF	5%	10%	20%	25%	33%	50%

Factory Set

### Motion Sensor Specifications:

Sensor is IP-66 rated, suitable for wet location as factory installed.

MAX Load: 800W

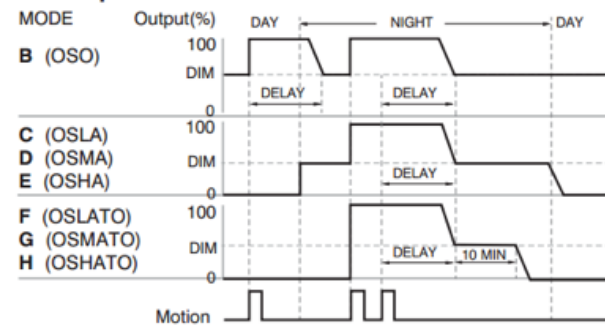
Operating Temperatures: -40°C~55°C  
(-40°F~131°F)

Dimensions: L111 x W90 x H46mm  
(L4.37" x W3.54" x H1.8")

### Factory Settings:

- MODE: G (Light off while ambient light is higher than 130 lux)
- TIME: 2 (3minutes)
- DIM: 6 (33%)

### Mode Operation Chart



## WARRANTY

LIMITED FIVE-YEAR WARRANTY. Should this product fail to perform satisfactorily due to a defect or poor workmanship within five years from the date of purchase, return it to the place of purchase and it will be replaced, free of charge. Incidental or consequential damages are excluded from the warranty.