

SUITABLE FOR MODEL



IMAGE MAY VARY FROM ACTUAL PRODUCT

SAFETY INSTRUCTION

READ CAREFULLY BEFORE INSTALLING FIXTURE. PLEASE KEEP THIS MANUAL FOR FUTURE USING.

Fixtures must be wired in accordance with the National Electrical Code and all applicable local codes. Proper grounding is required for safety.

THIS PRODUCT MUST BE INSTALLED IN ACCORDANCE WITH THE APPLICATION CODE BY A PERSON FAMILIAR WITH THE CONSTRUCTION AND OPERATION OF THE PRODUCT AND THE HAZARDS INVOLVED. MAKE CERTAIN POWER OFF BEFORE INSTALLING OR MAINTAINING FIXTURE.

CHECK THAT VOLTAGE IS COMPATIBLE WITH FIXTURE DRIVER, USE APPROVED CONNECTORS FOR ALL ELECTRICAL CONNECTIONS.

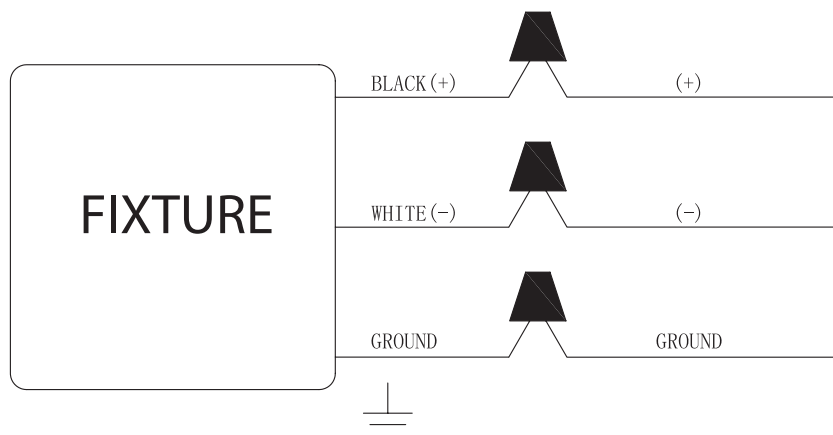
MAINTENANCE CAUTION

1. Review the diagrams before beginning, and make sure fixture is grounded properly.
2. For lighting controls, using functioning correctly.
3. Turn power off and wait for fixture cooling to operate.
4. Maintenance must be done by professionals.

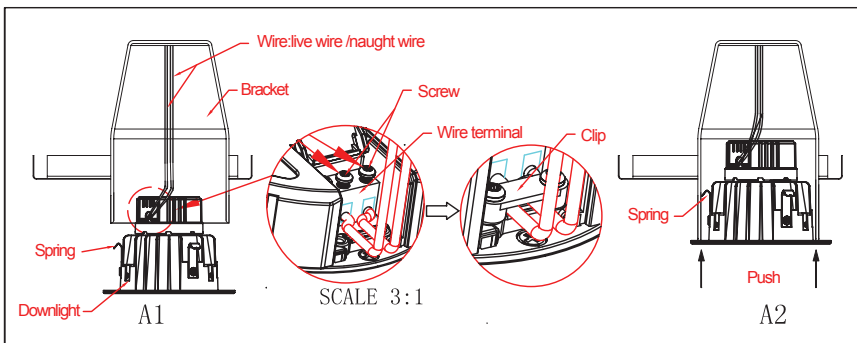
WIRE CONNECTION

Universal voltage driver permits operation at 120V thru 277V, 50 or 60Hz

1. Connect the **BLACK** fixture lead to the **(+)** supply lead.
2. Connect the **WHITE** fixture lead to the **(-)** supply lead.
3. Connect the **GROUND** fixture lead to **GROUND** supply lead.

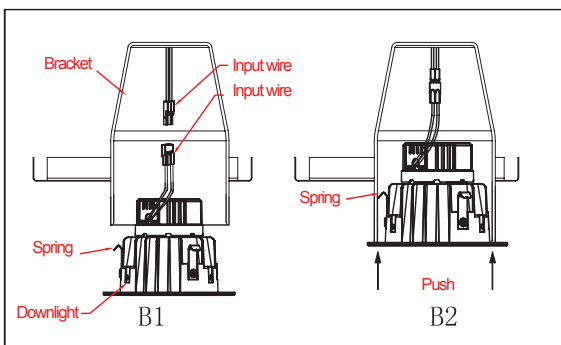


INSTALLATION

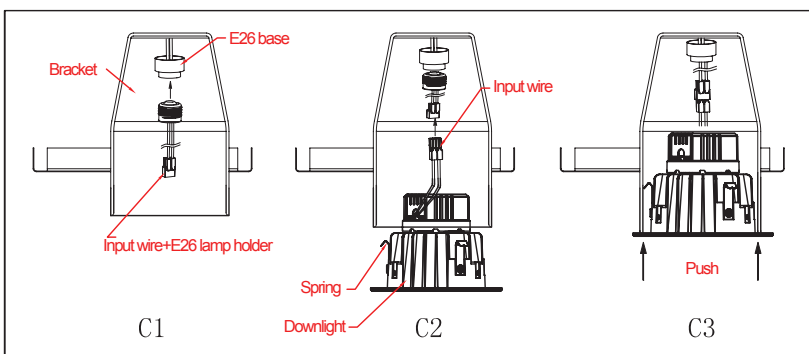


- 1.1 Open the cover of the driver box.
- 1.2 Unscrew the screw of the clips.
- 1.3 Insert the live wire and naught wire into the wire terminal, and tighten the screws.
- 1.4 Use the clips to squeeze the wires and tighten the screws.

- 2.1 Close the cover of the box.
- 2.2 Level the spring at the bracket hole ,and push it up.
- 2.3 Push it to the end. (Finish the installation) .



- 1.1 Link the input wire.
- 2.1 Level the spring at the bracket hole ,and push it up.
- 2.2 Push it to the end. (Finish the installation.)



- 1.1 Insert the E26 lamp holder into the base
- 2.1 Close the cover of the box.
- 3.1 Level the spring at the bracket hole ,and push it up.
- 3.2 Push it to the end. (Finish the installation.)

WARRANTY

LIMITED FIVE-YEAR WARRANTY. Should this product fail to perform satisfactorily due to a defect or poor workmanship within five years from the date of purchase, return it to the place of purchase and it will be replaced, free of charge. Incidental or consequential damages are excluded from the warranty.