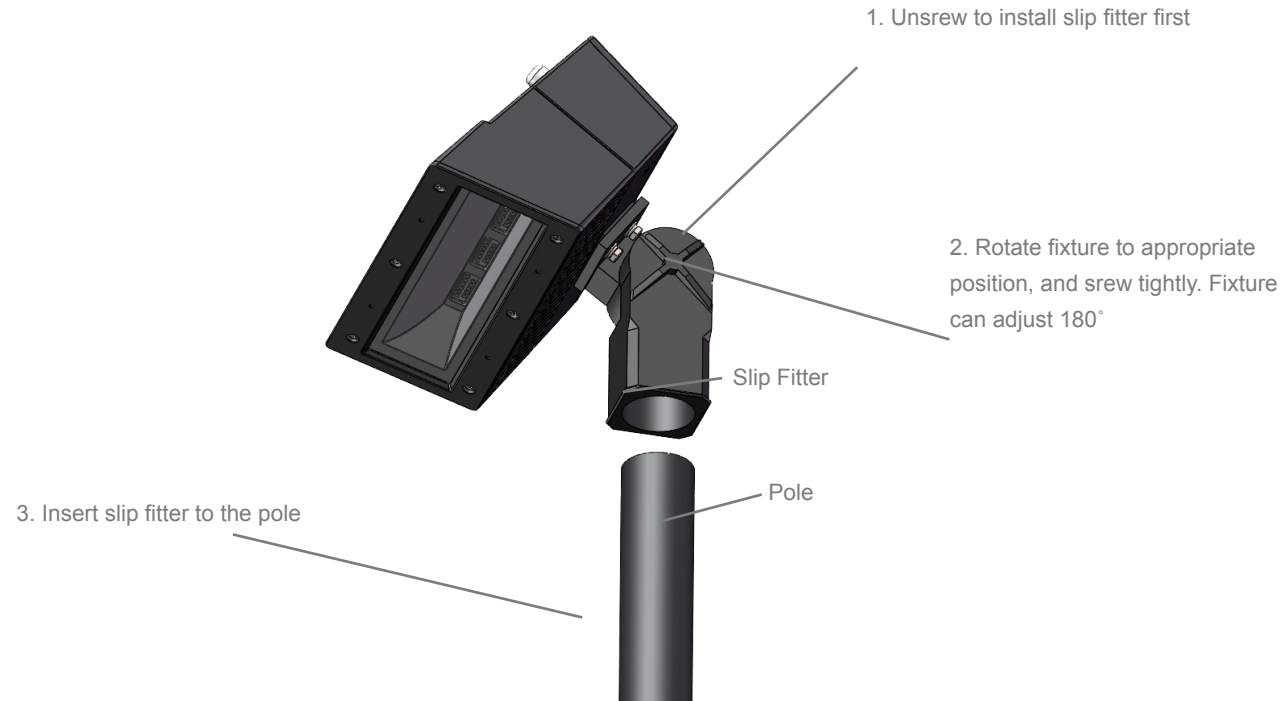


For Universal Slip Fitter

1. Unsrew to install slip fitter first.
2. Rotate fixture to appropriate position, and srew tightly. Fixture can adjust 180°.
3. Insert slip fitter to the pole.



WARRANTY

LIMITED FIVE-YEAR WARRANTY. Should this product fail to perform satisfactorily due to a defect or poor workmanship within five years from the date of purchase, return it to the place of purchase and it will be replaced, free of charge. Incidental or consequential damages are excluded from the warranty.

SUITABLE FOR MODEL



IMAGE MAY VARY FROM ACTUAL PRODUCT

SAFETY INSTRUCTION



READ CAREFULLY BEFORE INSTALLING FIXTURE. PLEASE KEEP THIS MANUAL FOR FUTURE USING. Fixtures must be wired in accordance with the National Electrical Code and all applicable local codes. Proper grounding is required for safety.

THIS PRODUCT MUST BE INSTALLED IN ACCORDANCE WITH THE APPLICATION CODE BY A PERSON FAMILIAR WITH THE CONSTRUCTION AND OPERATION OF THE PRODUCT AND THE HAZARDS INVOLVED. MAKE CERTAIN POWER OFF BEFORE INSTALLING OR MAINTAINING FIXTURE. CHECK THAT VOLTAGE IS COMPATIBLE WITH FIXTURE DRIVER, USE APPROVED CONNECTORS FOR ALL ELECTRICAL CONNECTIONS.

MAINTENANCE CAUTION

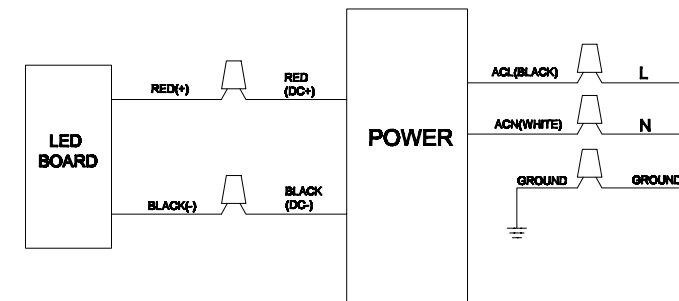


1. Review the wire connection before beginning, and make sure fixture is grounded properly.
2. For lighting controls, using functioning correctly.
3. Turn power off and wait for fixture cooling to operate.
4. Maintenance must be done by professionals.

WIRE CONNECTION

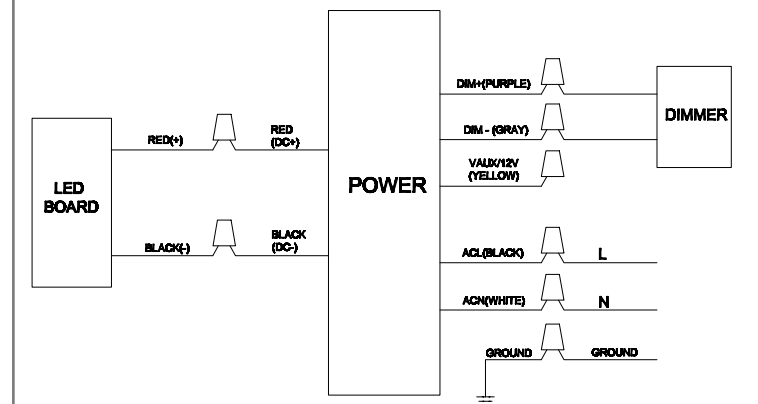
FOR 26W V-LINE FLOOD LIGHT

Universal voltage driver permits operation at 120V-277V, 50/60Hz

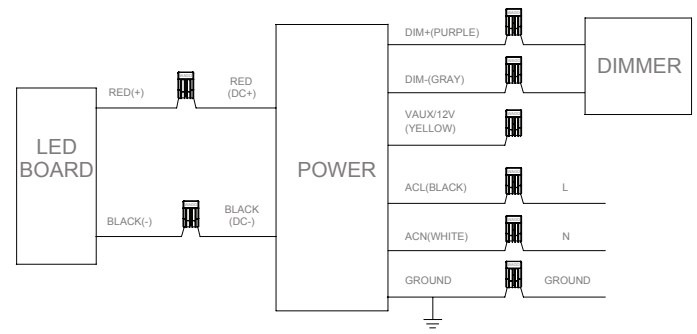


FOR 38W V-LINE FLOOD LIGHT WITH DIMMER

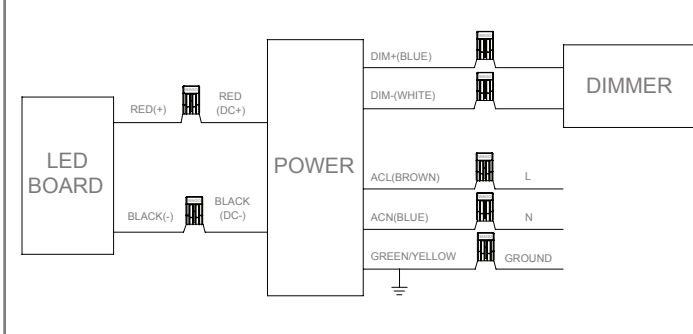
Universal voltage driver permits operation at 120V-277V, 50/60Hz



FOR 52W V-LINE FLOOD LIGHT WITH DIMMER
Universal voltage driver permits operation at 120V-277V, 50/60Hz

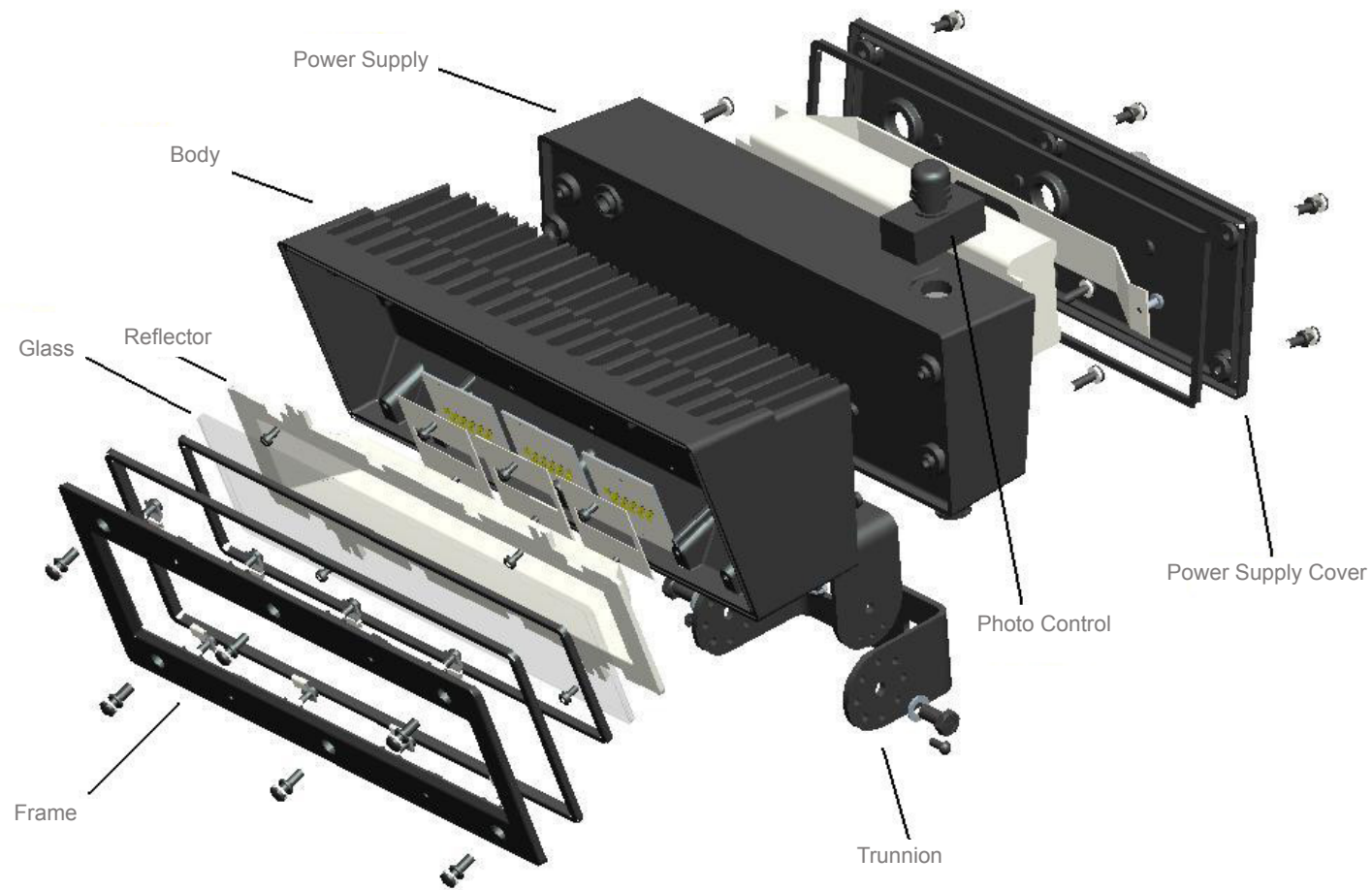


FOR 80W & 100W V-LINE FLOOD LIGHT WITH DIMMER
Universal voltage driver permits operation at 120V-277V, 50/60Hz



INSTALLATION

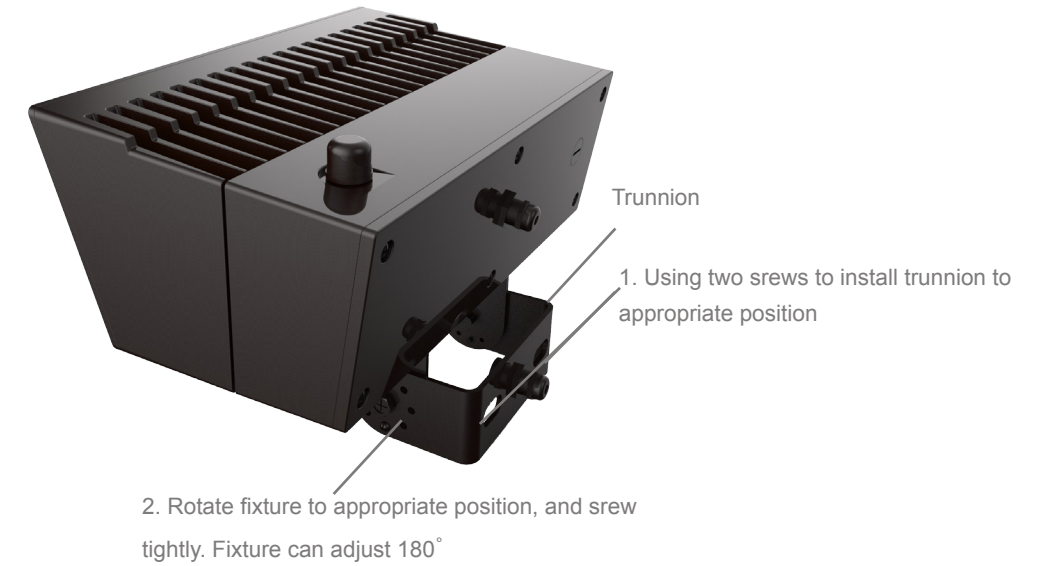
EXPLODED DRAWING



INSTALLATION

OPTION 1: TRUNNION MOUNTING INSTALLATION

1. Using two screws to install trunion to appropriate position.
2. Rotate fixture to appropriate position, and screw tightly. Fixture can adjust 180°.



OPTION 2: SLIP FITTER & KNUCKLE INSTALLATION

For 26W, 38W, 52W Knuckle

1. Screw Knuckle to the pole.



Ref#: AB100291-11214