



IMAGE MAY VARY FROM ACTUAL PRODUCT

LED HIGH BAY



PRODUCT DESCRIPTION

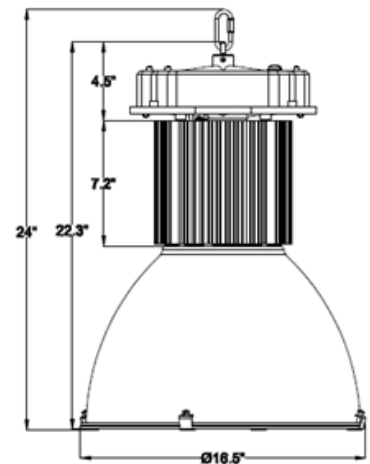
LED High Bay Light is for workshop, warehouse, indoor stadium or other industrial place. It is an ideal replacement for SON & Metal Halide High Bay. Extruded heat sink made of 6063-T5 aluminum allows for superior thermal management. Better light distribution, easy installation and 5 years warranty.

SPECIFICATION

Depth: 16.5"

Height: 24"

Max. Weight: 13.5 lbs



Ordering Information

Example: AB HB 150 LED 50

Brand	Figure	Watts	Source type	CCT
ABBlighting	HB - High bay light	150 150 Watts	LED	50-5000K

* Special Order- Ask Customer Service for Details

Accessories

SKU	MODEL	IMAGE	DESCRIPTION
90026	420mm PC Lens with Ring		<p>PC Lens must be used with drop lens or clear conical lens</p> <p>Only use with ABHB150LED50</p>
90024	Drop Lens		<p>Only use with 420mm PC Lens with Ring</p>
90025	Clear Conical Lens		<p>Only Use With 420mm Pc Lens With Ring</p>
90027	Wire Guard		<p>Only Use With Clear Conical Lens</p>

PERFORMANCE DATA

LUMEN OUTPUT

Lumen values are measured by third party certified laboratories performed in accordance with IESNA LM-79-08 as well as Lighting Facts listed.

Lumen Ambient Temperature (LAT) Multipliers

Use these factors to determine relative lumen output for average ambient temperature from 32-104°F (0-40°C)

Watts	Lumen Output	Drive Current	Measured Watts	CRI	Dist. Type	LPW
150W	12216	0.7A	133.8W	84	N/A	91.3

Ambient		Multiplier
Celsius	Fahrenheit	
0	32	1.02

Projected LED Lumen Maintenance

Data references the extrapolated performance projections for the LED High Bay in a 104°F ambient, (tested per IESNA LM-80-08 and projected per IESNA TM-21-11).

Operating Hours	0	10,000	18,000	36,000	80,000
	Lumen Maintenance Factor	1.0	0.98(L98)	0.96(L96)	0.92(L92)

Photometry

All published luminaire photometric testing performed to IESNA LM-79-08 standards by a NVLAP certified laboratory. Download the IES files at <http://www.abblighting.com/IESfiles>

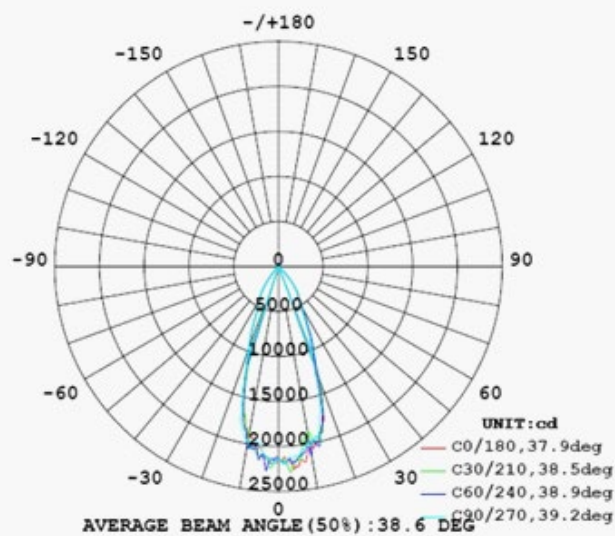


Chart 5: Polar Candela Distribution

PRODUCT SPECIFICATIONS

ELECTRICAL SYSTEM

- Input Voltage: 120-277V
- 50/60Hz
- Class 1 drivers
- Minimum Ambient -40
- Power Factor: > 0.9 at full load
- Total Harmonic Distortion: < 20% at full load
- Integral 10KV surge suppression protection standard
- To address inrush current, slow blow fuse or type C/D breaker should be used

System Wattage	Max THD (%)	Power Factor	Power Efficiency
150W	20	>0.9	90%

Ref#: AB10010-11218

CERTIFICATIONS AND QUALIFICATIONS

- CETLus Listed
- IP44 rated
- Comes standard with 6kV surge suppression protection tested in accordance with IEEE/ANSI C62.41.2
- DLC qualified. Please refer to <http://www.designlights.org/QPL> for most current information
- RoHS compliant

Warranty

Five year limited warranty. Full warranty terms located at www.abblighting.com/warrantystatements

Note: Specifications subject to change without notice.