

LED V-LINE WALL PACK



IMAGE MAY VARY FROM ACTUAL PRODUCT

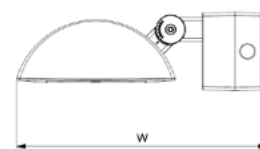
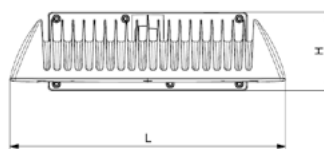


PRODUCT DESCRIPTION

LED V-line Wall pack are designed high quality die cast housing. Durable chip and fade resistant powder coat finish. Efficient design separates the driver from the LED to minimize heat, air cooling design of aerodynamic and modern appearance. Adjustable head for precise aiming.

SPECIFICATION

26W & 38W	52W, 70W, 100W
Length: 10.11"/257mm	Length: 15.32"/389.1mm
Width: 9.57"/243mm	Width: 13.90"/353mm
Height: 4.72"/120mm	Height: 4.37"/111mm
Max. Weight: 8.8 lbs	Max. Weight: 17 lbs



Ordering Information

Example: **WL26501**

Figure	Watts	CCT	Voltage	Controls
WL Wall Light	26*	50 - 5000K	1 - 120-277V	MS-Multi Level Motion Sensor PC-Photo Control SPC-Swivel Photo Control
	25 Watts		2 - 347V	
	38		4 - 120V	
	40 Watts		5 - 277V	
	52		6 - 347V/ 480V	
	50 Watts			
	70			
	80 Watts			
	100*			
	100 Watts			

* Special Order- Ask Customer Service for Details
 * 26W is no compatible with 347V/ 480V, and Motion Sensor
 * 100W is no compatible with Swivel Photo Control

PERFORMANCE DATA

LUMEN OUTPUT

Lumen values are measured by third party certified laboratories performed in accordance with IESNA LM-79-08 as well as Lighting Facts listed.

Lumen Ambient Temperature (LAT) Multipliers

Use these factors to determine relative lumen output for average ambient temperature from 32-104°F (0-40°C)

Watts	Lumen Output	LPW	Measured Watts	CCT	CRI	Beam Angel
26W	2574	99	25W	5000	73	75
38W	4293	106	40W	5000	73	79
52W	5526	109	50W	5000	75	81
70W	8869	109	80W	5000	75	88
100W	10760	107	100W	5000	75	87

Ambient		Multiplier
Celsius	Fahrenheit	
0	32	1.02
10	50	1.01
20	68	1.00
25	77	1.00
30	86	1.00
40	104	0.99

Projected LED Lumen Maintenance

Data references the extrapolated performance projections for the LED Wall Light in a 104°F ambient, (tested per IESNA LM-80-08 and projected per IESNA TM-21-11).

Operating Hours	0	25,000	50,000	100,000	250,000
	Lumen Maintenance Factor	1.0	0.98(L98)	0.96(L96)	0.92(L92)

Photometry

All published luminaire photometric testing performed to IESNA LM-79-08 standards by a NVLAP certified laboratory. Download the IES files at <http://www.abblighting.com/IESfiles>



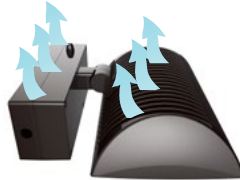
FEATURES



High quality die cast housing.



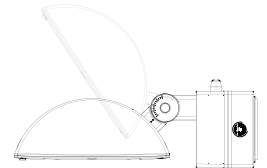
Durable chip and fade resistant powder coat finish.



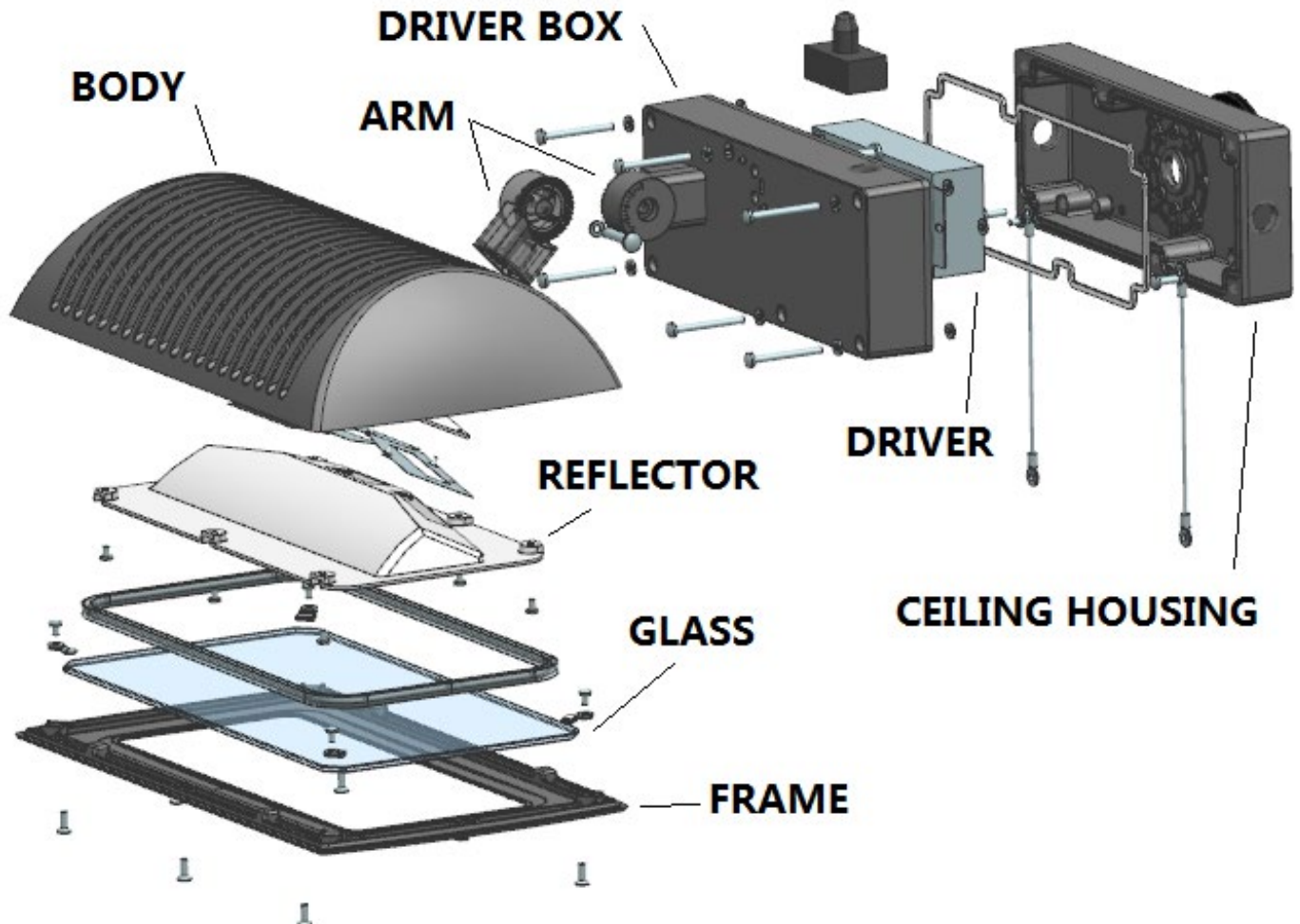
Efficient design separates the driver from the LEDs to minimize heat.
Air cooling. 40°C ambient rated.



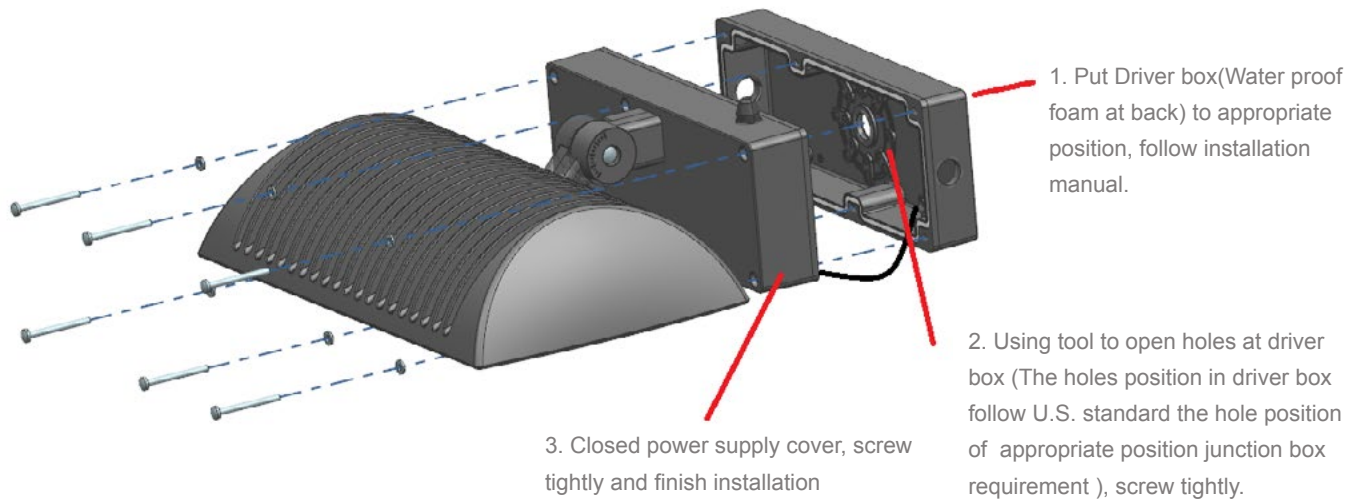
Adjusted arm free to set up. IP 65 rated.



160° swivel design.



INSTALLATION



PRODUCT SPECIFICATIONS

CONSTRUCTION & MATERIALS

- Housing is all aluminum construction
- Terminal block for power input suitable for 10 -18 AWG wire
- Luminaire sides are rugged die cast aluminum with integral, weathertight LED driver compartments and high performance heat sinks
- Surface-mount directly to a vertical or horizontal surface with direct included mount bracket

System Wattage	Max THD (%)	Power Factor	Power Efficiency
26W	20	>0.9	85%
38W	20	>0.9	88%
52W	20	>0.9	90%
70W	20	>0.9	92%
100W	20	>0.9	92%

Ref#: AB10291-10104

ELECTRICAL SYSTEM

- Input Voltage: 120-277V
- 50/60Hz
- Class 2 drivers
- Minimum ambient -40°C, maximum ambient 40°C
- Power Factor: > 0.9 at full load
- Total Harmonic Distortion: < 20% at full load
- 26W, 38W integral 2KV surge suppression protection standard
- 52W, 70W, 100W integral 4KV surge suppression protection standard
- To address inrush current, slow blow fuse or type C/D breaker should be used

CERTIFICATIONS AND QUALIFICATIONS

- CETLus Listed
- Suitable for wet location
- IP65 rated
- Comes standard with 6kV surge suppression protection tested in accordance with IEEE/ANSI C62.41.2
- DLC qualified. Please refer to <http://www.designlights.org/QPL> for most current information
- RoHS compliant

Warranty

Five year limited warranty. Full warranty terms located at www.abblighting.com/warrantystatements

Note: Specifications subject to change without notice.